



SECURITY

1 locking point
 Versions available with oval cylinder and
 cross key cylinder



MATERIALS

Stainless steel forend and springs
 Zinc-plated steel lock case



EASY TO TURN

Adjustable anti-noise latch bolt ~ 5 mm
 interchangeable with roller bolt
 Roller bolt cod. 0535
 (but locks backset 15 mm - 20 mm)

DEAD AND LATCH BOLT



CONSTRUCTIVE FEATURES:

Zinc and plastic plated steel case and cover - Stainless steel forend - Nickel-plated special alloy dead bolt - Nickel-plated special alloy anti-noise latch bolt - Zinc-plated special alloy square spindle device $\square 8$ mm.

WORKING:

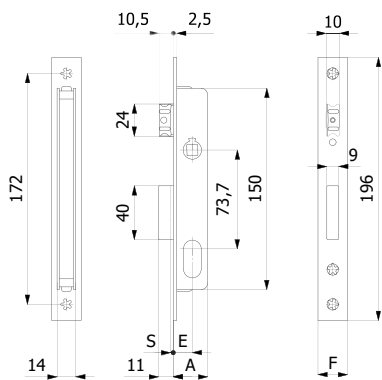
Key driven dead bolt - Handle driven latch bolt.

HAND:

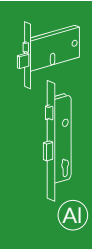
Reversible.

PROVIDED WITH:

Cylinder screw.



COD.	E	F	A	S	Throws	kg		
350	15	16	26	2	1	0,28	1	10
350/F22	15	22	26	2	1	0,30	1	10
330	20	16	31	2	1	0,30	1	10
330/F22	20	22	31	2	1	0,32	1	10



DEAD AND LATCH BOLT
2 THROWS



CONSTRUCTIVE FEATURES:

Zinc and plastic plated steel case and cover - Stainless steel forend - Nickel-plated special alloy dead bolt - Nickel-plated special alloy anti-noise latch bolt - Zinc-plated special alloy square spindle device $\square 8$ mm.

WORKING:

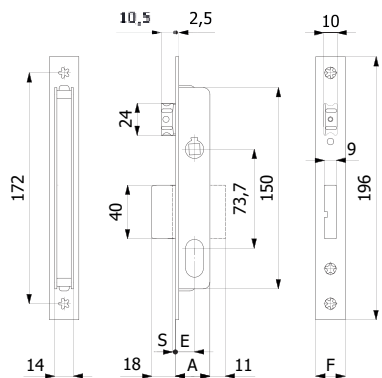
Key driven dead bolt - Handle driven latch bolt.

HAND:

Reversible.

PROVIDED WITH:

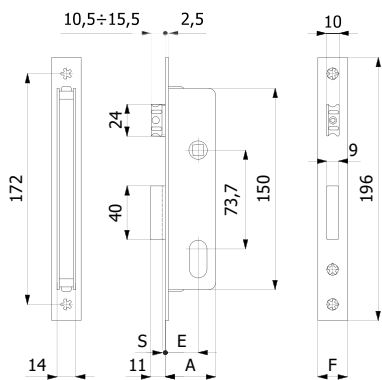
Cylinder screw.



COD.	E	F	A	S	Throws	kg		
352	15	16	26	2	2	0,31	1	10
352/F22	15	22	26	2	2	0,33	1	10
332	20	16	31	2	2	0,35	1	10
332/F22	20	22	31	2	2	0,37	1	10

DEAD AND ADJUSTABLE LATCH BOLT

Latch bolt interchangeable with roller bolt cod. 0535



CONSTRUCTIVE FEATURES:

Zinc and plastic plated steel case and cover - Stainless steel forend - Nickel-plated special alloy dead bolt - Nickel-plated special alloy anti-noise latch bolt - Zinc-plated special alloy square spindle device \square 8 mm.

WORKING:

Key driven dead bolt - Handle or key driven latch bolt.

HAND:

Reversible.

PROVIDED WITH:

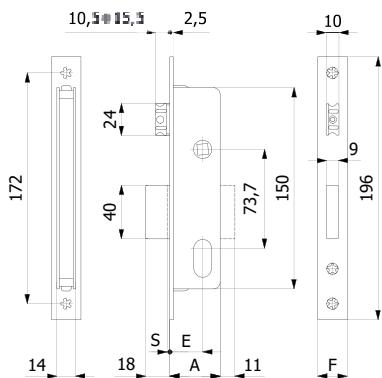
Cylinder screw.

COD.	E	F	A	S	Throws	kg		
338	25	16	38	2	1	0,35	1	10
338/F22	25	22	38	2	1	0,37	1	10
530	30	16	43	2	1	0,38	1	10
530/F22	30	22	43	2	1	0,40	1	10

DEAD AND ADJUSTABLE LATCH BOLT

2 THROWS

Latch bolt interchangeable with roller bolt cod. 0535



CONSTRUCTIVE FEATURES:

Zinc and plastic plated steel case and cover - Stainless steel forend - Nickel-plated special alloy dead bolt - Nickel-plated special alloy anti-noise latch bolt - Zinc-plated special alloy square spindle device \square 8 mm

WORKING:

Key driven dead bolt - Handle or key driven latch bolt.

HAND:

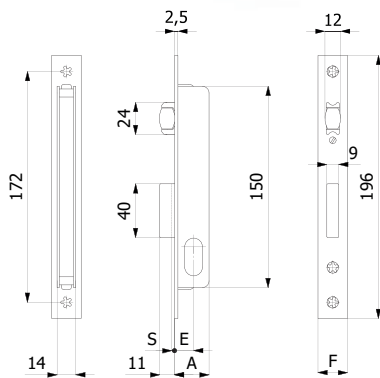
Reversible.

PROVIDED WITH:

Cylinder screw.

COD.	E	F	A	S	Throws	kg		
358	25	16	38	2	2	0,40	1	10
358/F22	25	22	38	2	2	0,42	1	10
540	30	16	43	2	2	0,43	1	10
540/F22	30	22	43	2	2	0,45	1	10

DEAD AND ADJUSTABLE ROLLER BOLT



CONSTRUCTIVE FEATURES:

Zinc and plastic plated steel case and cover - Stainless steel forend - Nickel-plated special alloy dead bolt - Nickel-plated brass roller bolt.

WORKING:

Key driven dead bolt - Pressure driven roller bolt.

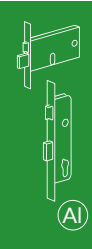
HAND:

No hand.

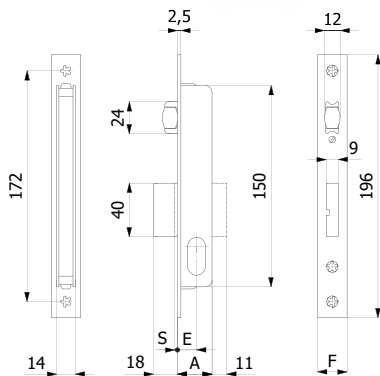
PROVIDED WITH:

Cylinder screw.

COD.	E	F	A	S	Throws	kg		
340	15	16	26	2	1	0,27	1	10
340/F22	15	22	26	2	1	0,29	1	10
320	20	16	31	2	1	0,29	1	10
320/F22	20	22	31	2	1	0,31	1	10



DEAD AND ADJUSTABLE ROLLER BOLT
2 THROWS



CONSTRUCTIVE FEATURES:

Zinc and plastic plated steel case and cover - Stainless steel forend - Nickel-plated special alloy dead bolt - Nickel-plated brass roller bolt.

WORKING:

Key driven dead bolt - Pressure driven roller bolt.

HAND:

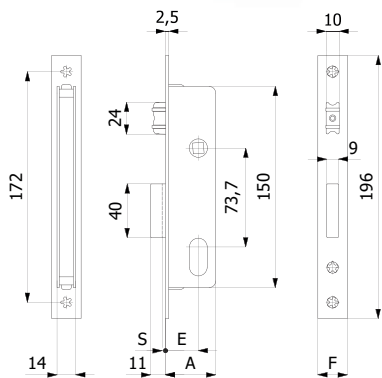
No hand.

PROVIDED WITH:

Cylinder screw.

COD.	E	F	A	S	Throws	kg		
342	15	16	26	2	2	0,30	1	10
342/F22	15	22	26	2	2	0,32	1	10
322	20	16	31	2	2	0,34	1	10
322/F22	20	22	31	2	2	0,36	1	10

DEAD AND ADJUSTABLE ROLLER BOLT



CONSTRUCTIVE FEATURES:

Zinc and plastic plated steel case and cover - Stainless steel forend - Nickel-plated special alloy dead bolt - Nickel-plated brass roller bolt.

WORKING:

Key driven dead bolt - Pressure or key driven roller bolt.

HAND:

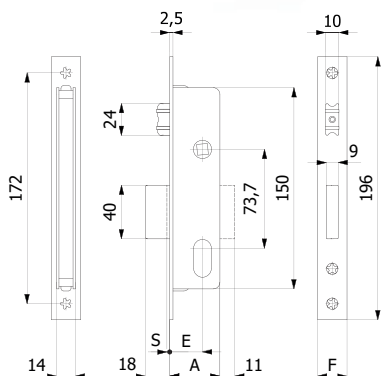
No hand.

PROVIDED WITH:

Cylinder screw.

COD.	E	F	A	S	Throws	kg		
328	25	16	38	2	1	0,33	1	10
328/F22	25	22	38	2	1	0,35	1	10
535	30	16	43	2	1	0,37	1	10
535/F22	30	22	43	2	1	0,39	1	10

DEAD AND ADJUSTABLE ROLLER BOLT
2 THROWS



CONSTRUCTIVE FEATURES:

Zinc and plastic plated steel case and cover - Stainless steel forend - Nickel-plated special alloy dead bolt - Nickel-plated brass roller bolt.

WORKING:

Key driven dead bolt - Pressure or key driven roller bolt.

HAND:

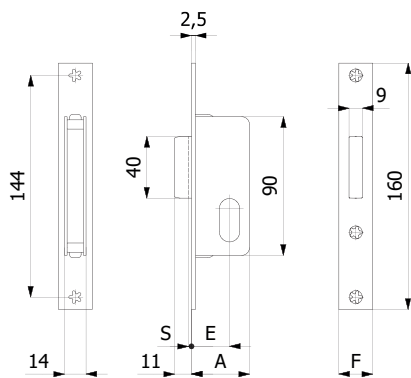
No hand.

PROVIDED WITH:

Cylinder screw.

COD.	E	F	A	S	Throws	kg		
348	25	16	38	2	2	0,37	1	10
348/F22	25	22	38	2	2	0,39	1	10
545	30	16	43	2	2	0,42	1	10
545/F22	30	22	43	2	2	0,44	1	10

DEAD BOLT



CONSTRUCTIVE FEATURES:

Zinc and plastic plated steel case and cover - Stainless steel forend - Nickel-plated special alloy dead bolt.

WORKING:

Key driven dead bolt.

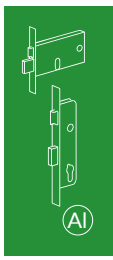
HAND:

No hand.

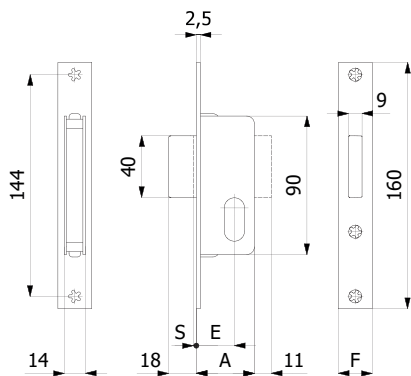
PROVIDED WITH:

Cylinder screw.

COD.	E	F	A	S	Throws	kg		
355	15	16	26	2	1	0,17	1	10
355/F22	15	22	26	2	1	0,19	1	10
335	20	16	31	2	1	0,19	1	10
335/F22	20	22	31	2	1	0,21	1	10
339	25	16	38	2	1	0,21	1	10
339/F22	25	22	38	2	1	0,23	1	10
531	30	16	43	2	1	0,25	1	10
531/F22	30	22	43	2	1	0,27	1	10



DEAD BOLT
2 THROWS



CONSTRUCTIVE FEATURES:

Zinc and plastic plated steel case and cover - Stainless steel forend - Nickel-plated special alloy dead bolt.

WORKING:

Key driven dead bolt.

HAND:

No hand.

PROVIDED WITH:

Cylinder screw.

COD.	E	F	A	S	Throws	kg		
354	15	16	26	2	2	0,21	1	10
354/F22	15	22	26	2	2	0,23	1	10
334	20	16	31	2	2	0,23	1	10
334/F22	20	22	31	2	2	0,25	1	10
359	25	16	38	2	2	0,25	1	10
359/F22	25	22	38	2	2	0,27	1	10
541	30	16	43	2	2	0,29	1	10
541/F22	30	22	43	2	2	0,31	1	10

LATCH BOLT



CONSTRUCTIVE FEATURES:

Zinc and plastic plated steel case and cover - Stainless steel forend - Nickel-plated special alloy anti-noise latch bolt.

WORKING:

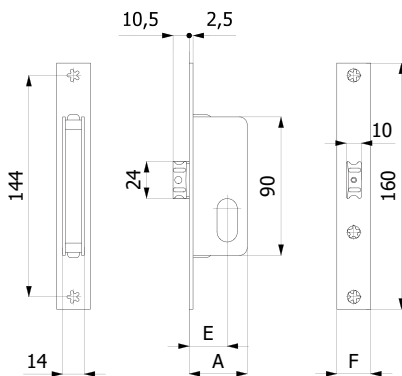
Key driven latch bolt.

HAND:

Reversible.

PROVIDED WITH:

Cylinder screw.



COD.	E	F	A	kg		
357	15	16	26	0,14	1	10
357/F22	15	22	26	0,16	1	10
337	20	16	31	0,15	1	10
337/F22	20	22	31	0,17	1	10
327	25	16	38	0,17	1	10
327/F22	25	22	38	0,19	1	10

HOOK BOLT



CONSTRUCTIVE FEATURES:

Zinc and plastic plated steel case and cover - Stainless steel forend - Nickel-plated special alloy hook bolt.

WORKING:

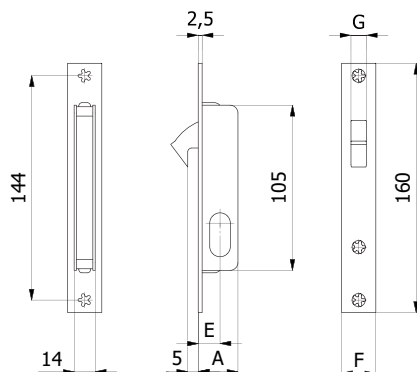
Key driven hook bolt.

HAND:

No hand.

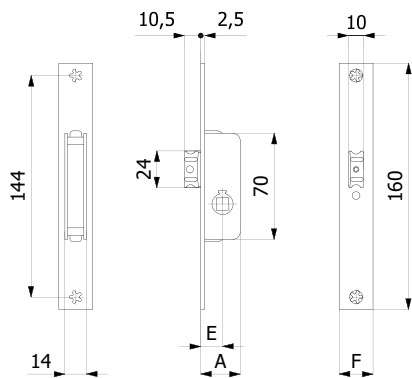
PROVIDED WITH:

Cylinder screw.



COD.	E	F	A	G	Throws	kg		
356	15	16	26	10	1	0,19	1	10
356/F22	15	22	26	10	1	0,21	1	10
356 P1	15	16	26	6	1	0,19	1	10

LATCH BOLT



CONSTRUCTIVE FEATURES:

Zinc and plastic plated steel case and cover - Stainless steel forend - Nickel-plated special alloy anti-noise latch bolt - Zinc-plated special alloy square spindle device \varnothing 8 mm.

WORKING:

Handle driven latch bolt.

HAND:

Reversible.

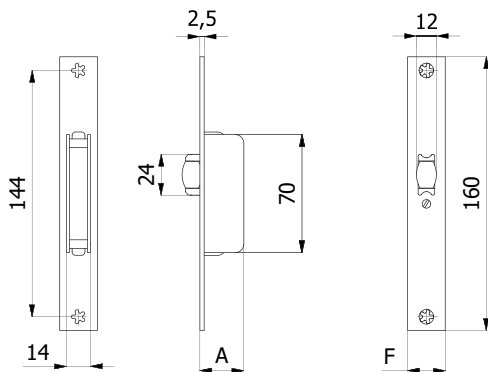
PROVIDED WITH:

/



COD.	E	F	A	kg		
351	15	16	26	0,15	2	20
351/F22	15	22	26	0,17	2	20

ADJUSTABLE ROLLER BOLT



CONSTRUCTIVE FEATURES:

Zinc and plastic plated steel case and cover - Stainless steel forend - Nickel-plated brass roller bolt.

WORKING:

Pressure driven roller bolt.

HAND:

No hand.

PROVIDED WITH:

/

COD.	F	A	kg		
345	16	26	0,14	2	20
345/F22	22	26	0,16	2	20

DEAD AND LATCH BOLT



CONSTRUCTIVE FEATURES:

Zinc and plastic plated steel case and cover - Stainless steel forend - Nickel-plated special alloy dead bolt - Nickel-plated special alloy anti-noise latch bolt - Zinc-plated special alloy square spindle device \varnothing 8 mm - Cross key cylinder cod. 4054 or 4054/1 (with long keys).

WORKING:

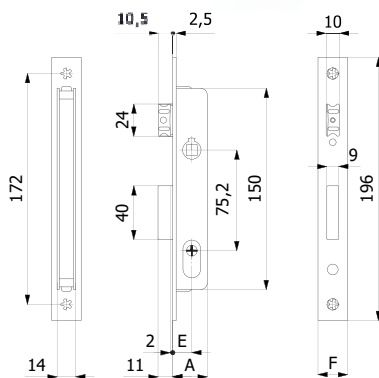
Key driven dead bolt - Handle driven latch bolt.

HAND:

Reversible.

PROVIDED WITH:

3 keys, 2 escutcheons cod. 0441 N.



COD.	E	F	A		Throws			
4350	15	16	26	4100	1	0,37	1	10
4350/F22	15	22	26	4100	1	0,39	1	10
4330	20	16	31	4100	1	0,39	1	10
4330/F22	20	22	31	4100	1	0,41	1	10
43**/1	Long keys			4101	-	+ 0,02	-	-

DEAD AND ADJUSTABLE LATCH BOLT

Latch bolt interchangeable with roller bolt cod. 0535



CONSTRUCTIVE FEATURES:

Zinc and plastic plated steel case and cover - Stainless steel forend - Nickel-plated special alloy dead bolt - Nickel-plated special alloy anti-noise latch bolt - Zinc-plated special alloy square spindle device \varnothing 8 mm - Cross key cylinder cod. 4054 or 4054/1 (with long keys).

WORKING:

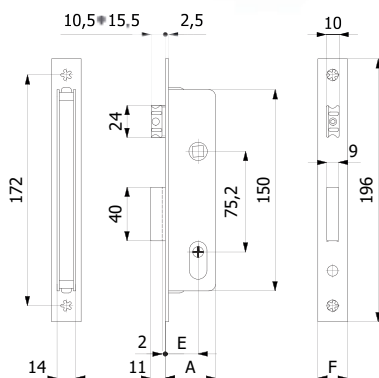
Key driven dead bolt - Handle or key driven latch bolt.

HAND:

Reversible.

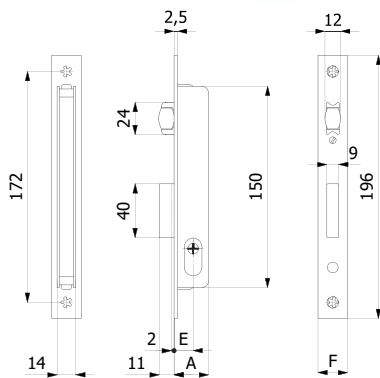
PROVIDED WITH:

3 keys, 2 escutcheons cod. 0441 N



COD.	E	F	A		Throws			
4338	25	16	38	4100	1	0,44	1	10
4338/F22	25	22	38	4100	1	0,46	1	10
4530	30	16	43	4100	1	0,47	1	10
4530/F22	30	22	43	4100	1	0,49	1	10
4***/1	Long keys			4101	-	+ 0,02	-	-

DEAD AND ADJUSTABLE ROLLER BOLT



CONSTRUCTIVE FEATURES:

Zinc and plastic plated steel case and cover - Stainless steel forend - Nickel-plated special alloy dead bolt - Nickel-plated brass roller bolt - Cross key cylinder cod. 4054 or 4054/1 (with long keys).

WORKING:

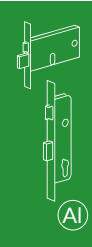
Key driven dead bolt - Pressure driven roller bolt.

HAND:

No hand.

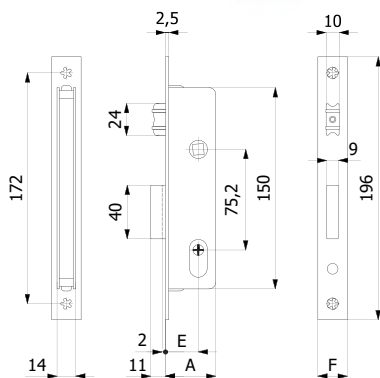
PROVIDED WITH:

3 keys, 2 escutcheons cod. 0441 N.



COD.	E	F	A		Throws			
4340	15	16	26	4100	1	0,36	1	10
4340/F22	15	22	26	4100	1	0,38	1	10
4320	20	16	31	4100	1	0,38	1	10
4320/F22	20	22	31	4100	1	0,40	1	10
43**/1	Long key			4101	-	+ 0,02	-	-

DEAD AND ADJUSTABLE ROLLER BOLT



CONSTRUCTIVE FEATURES:

Zinc and plastic plated steel case and cover - Stainless steel forend - Nickel-plated special alloy dead bolt - Nickel-plated brass roller bolt - Cross key cylinder cod. 4054 or 4054/1 (with long keys).

WORKING:

Key driven dead bolt - Pressure or key driven roller bolt.

HAND:

No hand.

PROVIDED WITH:

3 keys, 2 escutcheons cod. 0441 N.

COD.	E	F	A		Throws			
4328	25	16	38	4100	1	0,42	1	10
4328/F22	25	22	38	4100	1	0,44	1	10
4535	30	16	43	4100	1	0,46	1	10
4535/F22	30	22	43	4100	1	0,48	1	10
4***/1	Long key			4101	-	+ 0,02	-	-

DEAD BOLT



CONSTRUCTIVE FEATURES:

Zinc and plastic plated steel case and cover - Stainless steel forend - Nickel-plated special alloy dead bolt - Cross key cylinder cod. 4054 or 4054/1 (with long keys).

WORKING:

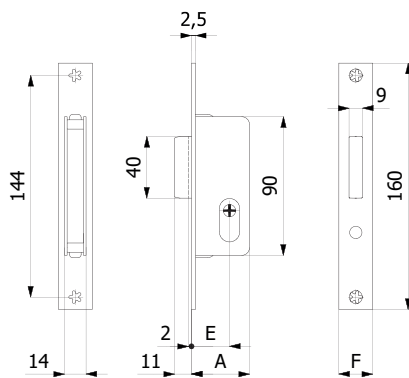
Key driven dead bolt.

HAND:

No hand.

PROVIDED WITH:

3 keys, 2 escutcheons cod. 0441 N.



COD.	E	F	A		Throws			
4355	15	16	26	4100	1	0,26	1	10
4355/F22	15	22	26	4100	1	0,28	1	10
4335	20	16	31	4100	1	0,28	1	10
4335/F22	20	22	31	4100	1	0,30	1	10
4339	25	16	38	4100	1	0,30	1	10
4339/F22	25	22	38	4100	1	0,32	1	10
4531	30	16	43	4100	1	0,34	1	10
4531/F22	30	22	43	4100	1	0,36	1	10
4***/1	Long key			4101	-	+ 0,02	-	-

HOOK BOLT



CONSTRUCTIVE FEATURES:

Zinc and plastic plated steel case and cover - Stainless steel forend - Nickel-plated special alloy hook bolt - Cross key cylinder cod. 4054 or 4054/1 (with long keys).

WORKING:

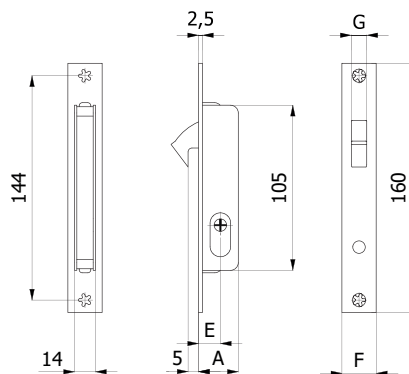
Key driven hook bolt.

HAND:

No hand.

PROVIDED WITH:

3 keys, 2 escutcheons cod. 0441 N.



COD.	E	F	A	G		Throws			
4356	15	16	26	10	4100	1	0,28	1	10
4356/F22	15	22	26	10	4100	1	0,30	1	10
4356 P1	15	16	26	6	4100	1	0,28	1	10
4***/1	Long key				4101	-	+ 0,02	-	-

DEAD BOLT



CONSTRUCTIVE FEATURES:

Painted plated steel case and cover - Nickel and chrome-plated steel forend - Nickel-plated steel dead bolt

WORKING:

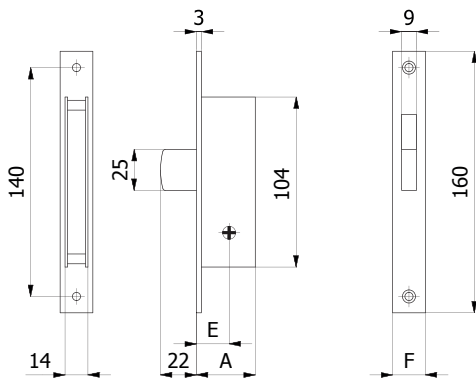
Key driven dead bolt.

HAND:

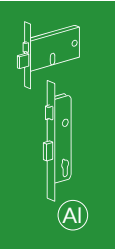
No hand.

PROVIDED WITH:

3 keys, 2 escutcheons cod. 0441 N, striking plate cod. 02014 A.



COD.	E	F	A		Throws			
4621/F20	20	20	36	4100	1	0,33	1	10



HOOK BOLT



CONSTRUCTIVE FEATURES:

Painted plated steel case and cover - Nickel and chrome-plated steel forend - Nickel-plated steel hook bolt.

WORKING:

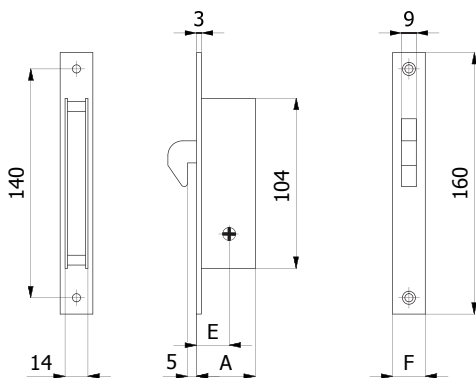
Key driven hook bolt.

HAND:

No hand.

PROVIDED WITH:

3 keys, 2 escutcheons cod. 0441 N, striking plate cod. 02019 A.



COD.	E	F	A		Throws			
4626/F20	20	20	36	4100	1	0,32	1	10



SECURITY

1 locking point
Operated by Euro profile cylinder



MATERIALS

Stainless steel forend and springs
Zinc-plated steel lock case

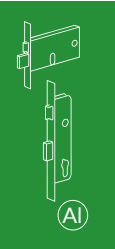
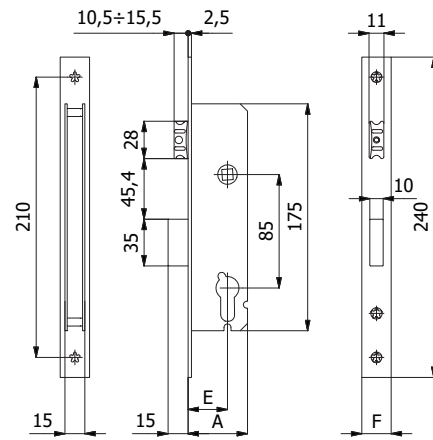


EASY TO TURN

Adjustable anti-noise latch bolt ~ 5 mm
interchangeable with roller bolt
Roller bolt cod. 01435
(but locks backset 20 mm)

DEAD AND ADJUSTABLE LATCH BOLT

Latch bolt interchangeable with roller bolt cod. 01435 (but cod.1300.20.**)



CONSTRUCTIVE FEATURES:

Zinc and plastic plated steel case and cover - Stainless steel forend - Nickel-plated special alloy dead bolt - Nickel-plated special alloy anti-noise latch bolt - Zinc-plated special alloy square spindle device $\varnothing 8$ mm.

WORKING:

Key driven dead bolt - Handle or key driven latch bolt.

HAND:

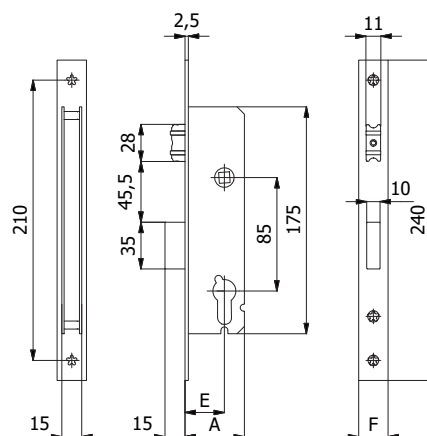
Reversible.

PROVIDED WITH:

Cylinder screw.

COD.	E	F	A	Throws			
1300.20.16	20	16	35	1	0,38	1	10
1300.20.22	20	22	35	1	0,42	1	10
1300.20.25	20	25	35	1	0,44	1	10
1300.25.16	25	16	40	1	0,41	1	10
1300.25.22	25	22	40	1	0,45	1	10
1300.25.25	25	25	40	1	0,47	1	10
1300.30.16	30	16	45	1	0,44	1	10
1300.30.22	30	22	45	1	0,48	1	10
1300.30.25	30	25	45	1	0,50	1	10
1300.35.16	35	16	50	1	0,47	1	10
1300.35.22	35	22	50	1	0,51	1	10
1300.35.25	35	25	50	1	0,53	1	10
1300.40.16	40	16	55	1	0,50	1	10
1300.40.22	40	22	55	1	0,54	1	10
1300.40.25	40	25	55	1	0,56	1	10

DEAD AND ADJUSTABLE ROLLER BOLT



CONSTRUCTIVE FEATURES:

Zinc and plastic plated steel case and cover - Stainless steel forend - Nickel-plated special alloy dead bolt - Nickel-plated brass roller bolt.

WORKING:

Key driven dead bolt - Pressure or key driven roller bolt.

HAND:

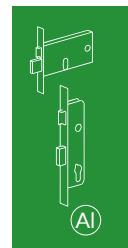
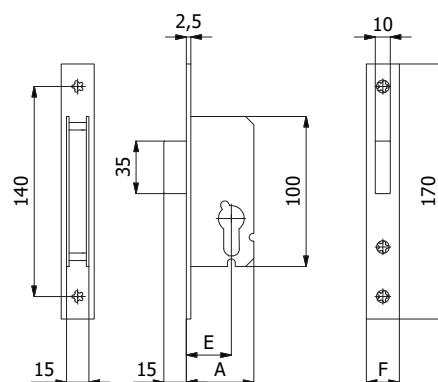
No hand.

PROVIDED WITH:

Cylinder screw.

COD.	E	F	A	Throws			
1305.20.16	20	16	35	1	0,38	1	10
1305.20.22	20	22	35	1	0,42	1	10
1305.20.25	20	25	35	1	0,44	1	10
1305.25.16	25	16	40	1	0,41	1	10
1305.25.22	25	22	40	1	0,45	1	10
1305.25.25	25	25	40	1	0,47	1	10
1305.30.16	30	16	45	1	0,44	1	10
1305.30.22	30	22	45	1	0,48	1	10
1305.30.25	30	25	45	1	0,50	1	10
1305.35.16	35	16	50	1	0,47	1	10
1305.35.22	35	22	50	1	0,51	1	10
1305.35.25	35	25	50	1	0,53	1	10
1305.40.16	40	16	55	1	0,50	1	10
1305.40.22	40	22	55	1	0,54	1	10
1305.40.25	40	25	55	1	0,56	1	10

DEAD BOLT



CONSTRUCTIVE FEATURES:

Zinc and plastic plated steel case and cover - Stainless steel forend - Nickel-plated special alloy dead bolt.

WORKING:

Key driven dead bolt.

HAND:

No hand.

PROVIDED WITH:

Cylinder screw.

COD.	E	F	A	Throws	kg		
1301.20.16	20	16	35	1	0,21	1	10
1301.20.22	20	22	35	1	0,24	1	10
1301.20.25	20	25	35	1	0,26	1	10
1301.25.16	25	16	40	1	0,23	1	10
1301.25.22	25	22	40	1	0,26	1	10
1301.25.25	25	25	40	1	0,28	1	10
1301.30.16	30	16	45	1	0,25	1	10
1301.30.22	30	22	45	1	0,28	1	10
1301.30.25	30	25	45	1	0,30	1	10
1301.35.16	35	16	50	1	0,28	1	10
1301.35.22	35	22	50	1	0,31	1	10
1301.35.25	35	25	50	1	0,33	1	10
1301.40.16	40	16	55	1	0,30	1	10
1301.40.22	40	22	55	1	0,33	1	10
1301.40.25	40	25	55	1	0,35	1	10



SECURITY

Self-centering tipping dead bolt with lock-picking system
 Designed for additional locking points
 Versions available with Euro profile cylinder, Swiss cylinder and cross key cylinder



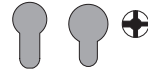
MATERIALS

Stainless steel forend, rods and springs
 Closed 19 mm zinc and plastic plated steel lock case to stop profile machining chips from entering the mechanism



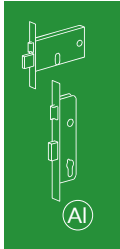
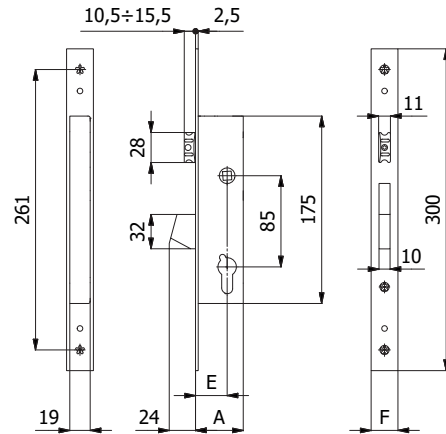
EASY TO TURN

Adjustable anti-noise latch bolt ~ 5 mm and roller bolt interchangeable with plug
 Roller bolt cod. 01435 - Plug cod. 01431



DEAD AND ADJUSTABLE LATCH BOLT

Latch bolt interchangeable with roller bolt cod. 01435



CONSTRUCTIVE FEATURES:

Zinc and plastic plated steel case and cover - Stainless steel forend - Nickel-plated special alloy self-centering dead bolt with lock-picking system - Nickel-plated special alloy anti-noise latch bolt - Zinc-plated special alloy square spindle device \varnothing 8 mm.

WORKING:

Key driven dead bolt - Handle or key driven latch bolt.

HAND:

Reversible.

PROVIDED WITH:

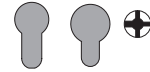
Forend spacer cod. 0623 N (forend 25 mm) or 2 cod. 0625 N (forend 22 mm), stainless steel fixing screws, assembling instructions.

For series 1400: 2 roses cod. 0120 N, cylinder screw.

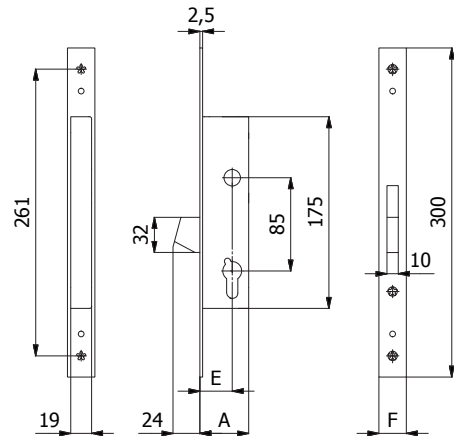
For series 3400: Cylinder screw.

For series 4400: Cross key cylinder cod. 4052 or 4052/1 (with long keys), 3 keys, 2 roses cod. 0441 N.

COD.	E	F	A	Throws	Cylinder	Key	kg		
1400.25.22	25	22	40	1			0,59	1	5
1400.25.25	25	25	40	1			0,57	1	5
1400.30.22	30	22	45	1		-	0,62	1	5
1400.30.25	30	25	45	1		0,60	1	5	
1400.35.22	35	22	50	1			0,64	1	5
1400.35.25	35	25	50	1			0,62	1	5
3400.30.22	30	22	45	1	Swiss profile cylinder	-	0,60	1	5
3400.30.25	30	25	45	1		0,58	1	5	
3400.35.22	35	22	50	1		-	0,63	1	5
3400.35.25	35	25	50	1		0,61	1	5	
4400.25.22	25	22	40	1			0,67	1	5
4400.25.25	25	25	40	1			0,65	1	5
4400.30.22	30	22	45	1	cod. 4052	cod. 4100	0,72	1	5
4400.30.25	30	25	45	1			0,70	1	5
4400.35.22	35	22	50	1			0,74	1	5
4400.35.25	35	25	50	1			0,72	1	5
4400/1.**.**		Long keys			cod. 4052/1	cod. 4101	+ 0,02	-	-



DEAD BOLT



CONSTRUCTIVE FEATURES:

Zinc and plastic plated steel case and cover - Stainless steel forend - Nickel-plated special alloy self-centering dead bolt with lock-picking system.

WORKING:

Key driven dead bolt.

HAND:

No hand.

PROVIDED WITH:

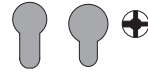
Forend spacer cod. 0623 N (forend 25 mm) or 2 cod. 0625 N (forend 22 mm), stainless steel fixing screws, assembling instructions.

For series 1401: 2 roses cod. 0120 N, cylinder screw.

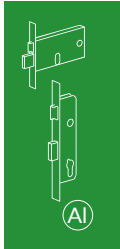
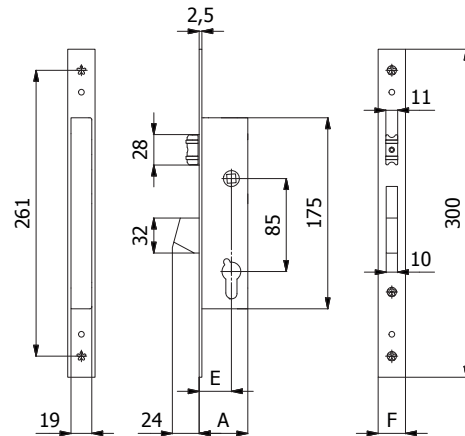
For series 3401: Cylinder screw.

For series 4401: Cross key cylinder cod. 4052 or 4052/1 (with long keys), 3 keys, 2 roses cod. 0441 N.

COD.	E	F	A	Throws	Cylinder	Key	kg		
1401.25.22	25	22	40	1			0,51	1	5
1401.25.25	25	25	40	1			0,49	1	5
1401.30.22	30	22	45	1		-	0,54	1	5
1401.30.25	30	25	45	1			0,52	1	5
1401.35.22	35	22	50	1			0,57	1	5
1401.35.25	35	25	50	1			0,55	1	5
3401.30.22	30	22	45	1	Swiss profile cylinder		0,51	1	5
3401.30.25	30	25	45	1	Swiss profile cylinder		0,49	1	5
3401.35.22	35	22	50	1			0,54	1	5
3401.35.25	35	25	50	1			0,52	1	5
4401.25.22	25	22	40	1			0,60	1	5
4401.25.25	25	25	40	1			0,58	1	5
4401.30.22	30	22	45	1	cod. 4052	cod. 4100	0,64	1	5
4401.30.25	30	25	45	1			0,62	1	5
4401.35.22	35	22	50	1			0,66	1	5
4401.35.25	35	25	50	1			0,64	1	5
4401/1.**.**		Long keys			cod. 4052/1	cod. 4101	+ 0,02	-	-



DEAD AND ADJUSTABLE ROLLER BOLT



CONSTRUCTIVE FEATURES:

Zinc and plastic plated steel case and cover - Stainless steel forend - Nickel-plated special alloy self-centering dead bolt with lock-picking system - Nickel-plated brass roller bolt.

WORKING:

Key driven dead bolt - Pressure or key driven roller bolt.

HAND:

No hand.

PROVIDED WITH:

Forend spacer cod. 0623 N (forend 25 mm) or 2 cod. 0625 N (forend 22 mm), stainless steel fixing screws, assembling instructions.

For series 1405: 2 roses cod. 0120 N, cylinder screw.

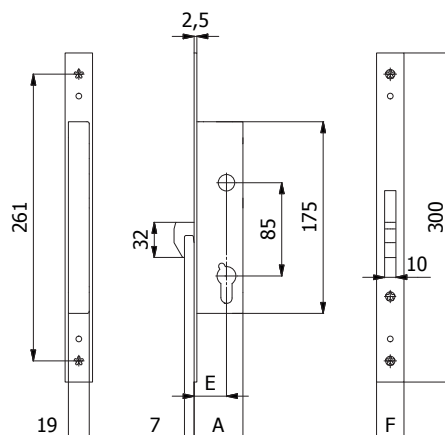
For series 3405: Cylinder screw.

For series 4405: Cross key cylinder cod. 4052 or 4052/1 (with long keys), 3 keys, 2 roses cod. 0441 N.

COD.	E	F	A	Throws	Cylinder	Key	kg		
1405.25.22	25	22	40	1			0,59	1	5
1405.25.25	25	25	40	1			0,57	1	5
1405.30.22	30	22	45	1		-	0,62	1	5
1405.30.25	30	25	45	1			0,60	1	5
1405.35.22	35	22	50	1			0,64	1	5
1405.35.25	35	25	50	1			0,62	1	5
3405.30.22	30	22	45	1	Swiss profile cylinder	-	0,60	1	5
3405.30.25	30	25	45	1			0,58	1	5
3405.35.22	35	22	50	1		-	0,63	1	5
3405.35.25	35	25	50	1			0,61	1	5
4405.25.22	25	22	40	1			0,67	1	5
4405.25.25	25	25	40	1			0,65	1	5
4405.30.22	30	22	45	1	cod. 4052	cod. 4100	0,72	1	5
4405.30.25	30	25	45	1			0,70	1	5
4405.35.22	35	22	50	1			0,74	1	5
4405.35.25	35	25	50	1			0,72	1	5
4405/1.**.**		Long keys			cod. 4052/1	cod. 4101	+ 0,02	-	-



HOOK BOLT



CONSTRUCTIVE FEATURES:

Zinc and plastic plated steel case and cover - Stainless steel forend - Stainless steel hook bolt.

WORKING:

Key driven hook bolt.

HAND:

No hand.

PROVIDED WITH:

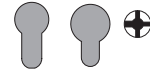
Forend spacer cod. 0623 N (forend 25 mm) or 2 cod. 0625 N (forend 22 mm), stainless steel fixing screws, assembling instructions.

For series 1406: 2 roses cod. 0120 N, cylinder screw.

For series 3406: Cylinder screw.

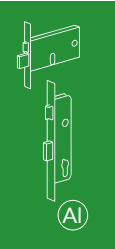
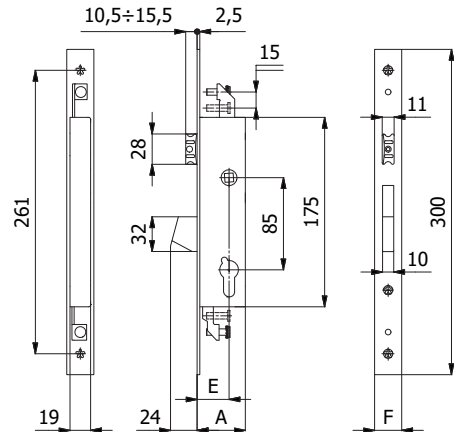
For series 4406: Cross key cylinder cod. 4052 or 4052/1 (with long keys), 3 keys, 2 roses cod. 0441 N.

COD.	E	F	A	Throws	Cylinder	Key	kg		
1406.25.22	25	22	40	1			0,51	1	5
1406.25.25	25	25	40	1			0,49	1	5
1406.30.22	30	22	45	1		-	0,52	1	5
1406.30.25	30	25	45	1			0,50	1	5
1406.35.22	35	22	50	1			0,56	1	5
1406.35.25	35	25	50	1			0,54	1	5
3406.30.22	30	22	45	1	Swiss profile cylinder		0,50	1	5
3406.30.25	30	25	45	1	Swiss profile cylinder		0,48	1	5
3406.35.22	35	22	50	1			0,53	1	5
3406.35.25	35	25	50	1			0,51	1	5
4406.25.22	25	22	40	1			0,59	1	5
4406.25.25	25	25	40	1			0,57	1	5
4406.30.22	30	22	45	1	cod. 4052	cod. 4100	0,61	1	5
4406.30.25	30	25	45	1			0,59	1	5
4406.35.22	35	22	50	1			0,64	1	5
4406.35.25	35	25	50	1			0,62	1	5
4406/1.**.**		Long keys			cod. 4052/1	cod. 4101	+ 0,02	-	-



DEAD AND ADJUSTABLE LATCH BOLT 3 LOCKING POINTS

Latch bolt interchangeable with roller bolt cod. 01435



CONSTRUCTIVE FEATURES:

Zinc and plastic plated steel case and cover - Stainless steel forend - Nickel-plated special alloy self-centering dead bolt with lock-picking system - Nickel-plated special alloy anti-noise latch bolt - Zinc-plated special alloy square spindle device \varnothing 8 mm.

WORKING:

Key driven dead bolt - Handle or key driven latch bolt.

HAND:

Reversible.

PROVIDED WITH:

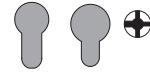
Forend spacer cod. 0623 N (forend 25 mm) or 2 cod. 0625 N (forend 22 mm), stainless steel fixing screws, assembling instructions.

For series 1410: 2 roses cod. 0120 N, cylinder screw.

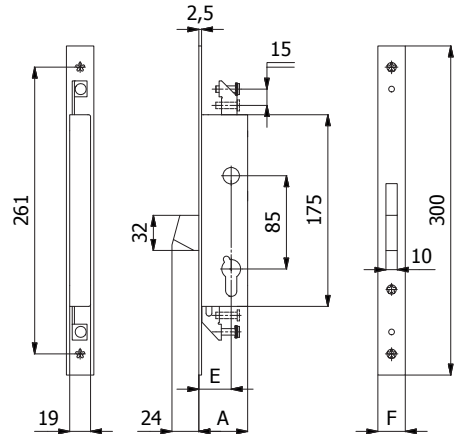
For series 3410: Cylinder screw.

For series 4410: Cross key cylinder cod. 4052 or 4052/1 (with long keys), 3 keys, 2 roses cod. 0441 N.

COD.	E	F	A	Throws	Cylinder	Key	kg		
1410.25.22	25	22	40	1			0,65	1	5
1410.25.25	25	25	40	1			0,63	1	5
1410.30.22	30	22	45	1		-	0,68	1	5
1410.30.25	30	25	45	1			0,66	1	5
1410.35.22	35	22	50	1			0,71	1	5
1410.35.25	35	25	50	1			0,69	1	5
3410.30.22	30	22	45	1	Swiss profile cylinder		0,66	1	5
3410.30.25	30	25	45	1			0,64	1	5
3410.35.22	35	22	50	1			0,69	1	5
3410.35.25	35	25	50	1			0,67	1	5
4410.25.22	25	22	40	1			0,73	1	5
4410.25.25	25	25	40	1			0,71	1	5
4410.30.22	30	22	45	1	cod. 4052	cod. 4100	0,76	1	5
4410.30.25	30	25	45	1			0,74	1	5
4410.35.22	35	22	50	1			0,79	1	5
4410.35.25	35	25	50	1			0,77	1	5
4410/1.**.**		Long keys			cod. 4052/1	cod. 4101	+ 0,02	-	-



DEAD BOLT 3 LOCKING POINTS



CONSTRUCTIVE FEATURES:

Zinc and plastic plated steel case and cover - Stainless steel forend - Nickel-plated special alloy self-centering dead bolt with lock-picking system.

WORKING:

Key driven dead bolt.

HAND:

No hand.

PROVIDED WITH:

Forend spacer cod. 0623 N (forend 25 mm) or 2 cod. 0625 N (forend 22 mm), stainless steel fixing screws, assembling instructions.

For series 1411: 2 roses cod. 0120 N, cylinder screw.

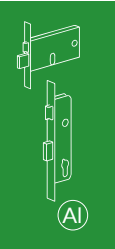
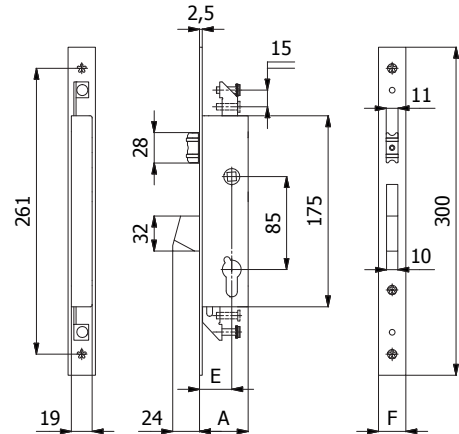
For series 3411: Cylinder screw.

For series 4411: Cross key cylinder cod. 4052 or 4052/1 (with long keys), 3 keys, 2 roses cod. 0441 N.

COD.	E	F	A	Throws	Cylinder	Key	kg		
1411.25.22	25	22	40	1			0,58	1	5
1411.25.25	25	25	40	1			0,56	1	5
1411.30.22	30	22	45	1		-	0,60	1	5
1411.30.25	30	25	45	1			0,58	1	5
1411.35.22	35	22	50	1			0,64	1	5
1411.35.25	35	25	50	1			0,62	1	5
3411.30.22	30	22	45	1	Swiss profile cylinder	-	0,58	1	5
3411.30.25	30	25	45	1			0,56	1	5
3411.35.22	35	22	50	1		-	0,61	1	5
3411.35.25	35	25	50	1			0,59	1	5
4411.25.22	25	22	40	1			0,68	1	5
4411.25.25	25	25	40	1			0,66	1	5
4411.30.22	30	22	45	1	cod. 4052	cod. 4100	0,70	1	5
4411.30.25	30	25	45	1			0,68	1	5
4411.35.22	35	22	50	1			0,73	1	5
4411.35.25	35	25	50	1			0,71	1	5
4411/1.**.**		Long keys			cod. 4052/1	cod. 4101	+ 0,02	-	-



DEAD AND ADJUSTABLE ROLLER BOLT 3 LOCKING POINTS



CONSTRUCTIVE FEATURES:

Zinc and plastic plated steel case and cover - Stainless steel forend - Nickel-plated special alloy self-centering dead bolt with lock-picking system - Nickel-plated brass roller bolt.

WORKING:

Key driven dead bolt - Pressure or key driven roller bolt.

HAND:

No hand.

PROVIDED WITH:

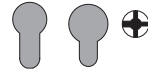
Forend spacer cod. 0623 N (forend 25 mm) or 2 cod. 0625 N (forend 22 mm), stainless steel fixing screws, assembling instructions.

For series 1415: 2 roses cod. 0120 N, cylinder screw.

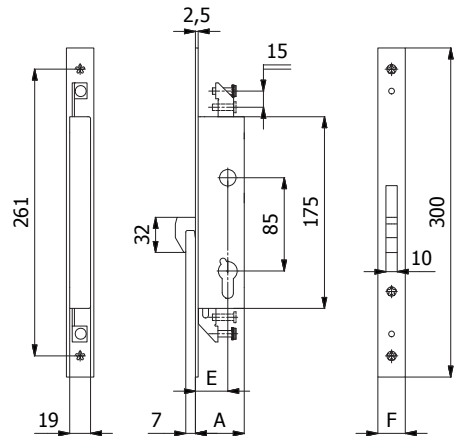
For series 3415: Cylinder screw.

For series 4415: Cross key cylinder cod. 4052 or 4052/1 (with long keys), 3 keys, 2 roses cod. 0441 N.

COD.	E	F	A	Throws	Cylinder	Key	kg		
1415.25.22	25	22	40	1			0,65	1	5
1415.25.25	25	25	40	1			0,63	1	5
1415.30.22	30	22	45	1		-	0,68	1	5
1415.30.25	30	25	45	1			0,66	1	5
1415.35.22	35	22	50	1			0,71	1	5
1415.35.25	35	25	50	1			0,69	1	5
3415.30.22	30	22	45	1	Swiss profile cylinder		0,66	1	5
3415.30.25	30	25	45	1	Swiss profile cylinder		0,64	1	5
3415.35.22	35	22	50	1			0,69	1	5
3415.35.25	35	25	50	1			0,67	1	5
4415.25.22	25	22	40	1			0,73	1	5
4415.25.25	25	25	40	1			0,71	1	5
4415.30.22	30	22	45	1	cod. 4052	cod. 4100	0,76	1	5
4415.30.25	30	25	45	1			0,74	1	5
4415.35.22	35	22	50	1			0,79	1	5
4415.35.25	35	25	50	1			0,77	1	5
4415/1.**.**		Long keys			cod. 4052/1	cod. 4101	+ 0,02	-	-



HOOK BOLT 3 LOCKING POINTS



CONSTRUCTIVE FEATURES:

Zinc and plastic plated steel case and cover - Stainless steel forend - Stainless steel hook bolt.

WORKING:

Key driven hook bolt.

HAND:

No hand.

PROVIDED WITH:

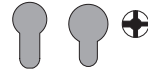
Forend spacer cod. 0623 N (forend 25 mm) or 2 cod. 0625 N (forend 22 mm), stainless steel fixing screws, assembling instructions.

For series 1416: 2 roses cod. 0120 N, cylinder screw.

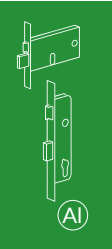
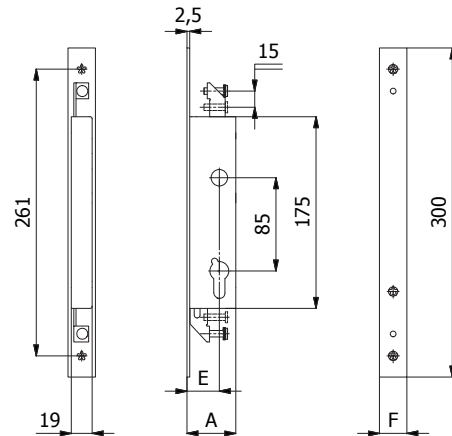
For series 3416: Cylinder screw.

For series 4416: Cross key cylinder cod. 4052 or 4052/1 (with long keys), 3 keys, 2 roses cod. 0441 N.

COD.	E	F	A	Throws	Cylinder	Key	kg		
1416.25.22	25	22	40	1			0,56	1	5
1416.25.25	25	25	40	1			0,54	1	5
1416.30.22	30	22	45	1		-	0,59	1	5
1416.30.25	30	25	45	1			0,57	1	5
1416.35.22	35	22	50	1			0,62	1	5
1416.35.25	35	25	50	1			0,60	1	5
3416.30.22	30	22	45	1	Swiss profile cylinder 	-	0,56	1	5
3416.30.25	30	25	45	1			0,54	1	5
3416.35.22	35	22	50	1			0,59	1	5
3416.35.25	35	25	50	1			0,57	1	5
4416.25.22	25	22	40	1			0,66	1	5
4416.25.25	25	25	40	1			0,64	1	5
4416.30.22	30	22	45	1	cod. 4052 	cod. 4100 	0,68	1	5
4416.30.25	30	25	45	1			0,66	1	5
4416.35.22	35	22	50	1			0,71	1	5
4416.35.25	35	25	50	1			0,69	1	5
4416/1.**.**		Long keys			cod. 4052/1 	cod. 4101 	+ 0,02	-	-



TOP AND BOTTOM 2 LOCKING POINTS



CONSTRUCTIVE FEATURES:

Zinc and plastic plated steel case and cover - Stainless steel forend.

WORKING:

Key driven vertical rods.

HAND:

No hand.

PROVIDED WITH:

Forend spacer cod. 0623 N (forend 25 mm) or 2 cod. 0625 N (forend 22 mm), stainless steel fixing screws, assembling instructions.

For series 1412: 2 roses cod. 0120 N, cylinder screw.

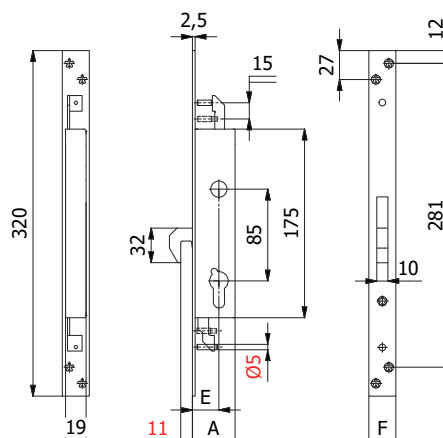
For series 3412: Cylinder screw.

For series 4412: Cross key cylinder cod. 4052 or 4052/1 (with long keys), 3 keys, 2 roses cod. 0441 N.

COD.	E	F	A	Throws	Cylinder	Key	kg		
1412.25.22	25	22	40	1			0,53	1	5
1412.25.25	25	25	40	1			0,51	1	5
1412.30.22	30	22	45	1		-	0,55	1	5
1412.30.25	30	25	45	1			0,53	1	5
1412.35.22	35	22	50	1			0,60	1	5
1412.35.25	35	25	50	1			0,58	1	5
3412.30.22	30	22	45	1	Swiss profile cylinder 	-	0,53	1	5
3412.30.25	30	25	45	1			0,51	1	5
3412.35.22	35	22	50	1			0,56	1	5
3412.35.25	35	25	50	1			0,54	1	5
4412.25.22	25	22	40	1			0,61	1	5
4412.25.25	25	25	40	1			0,59	1	5
4412.30.22	30	22	45	1	cod. 4052	cod. 4100	0,65	1	5
4412.30.25	30	25	45	1			0,63	1	5
4412.35.22	35	22	50	1			0,68	1	5
4412.35.25	35	25	50	1			0,66	1	5
4412/1.**.**		Long keys			cod. 4052/1	cod. 4101	+ 0,02	-	-



HOOK BOLT 3 LOCKING POINTS



CONSTRUCTIVE FEATURES:

Zinc and plastic plated steel case and cover - Stainless steel forend - Stainless steel hook bolt.

WORKING:

Key driven hook bolt.

HAND:

No hand.

PROVIDED WITH:

Fixing screws, additional locking points screws.

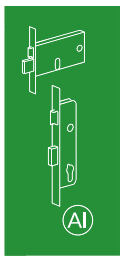
For locks 1416: Cylinder screw.

For locks 4416: Cross key cylinder cod. 4052, 3 keys, 2 roses cod. 0441 N.

PACKAGING:

Single cellophane pack.

COD.	E	F	A	Throws	Cylinder	Key	kg		
1416.25.25 P1	25	25	40	1		-	0,52	-	30
4416.25.25 P1	25	25	40	1	cod. 4052 	cod. 4100 	0,60	-	30



SECURITY

Self-centering tipping dead bolt with lock-picking system
Designed for additional locking points



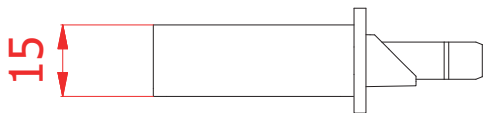
MATERIALS

Stainless steel forend and springs
Closed zinc and plastic plated steel lock case to stop profile machining chips from entering the mechanism.



EASY TO TURN

Adjustable anti-noise latch bolt ~ 5 mm and roller bolt interchangeable with plug
Roller bolt cod. 01435 - Plug cod. 01431



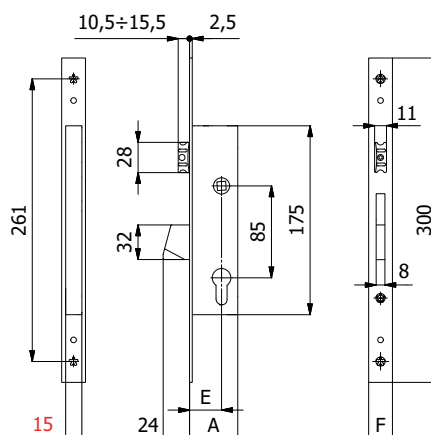
SLIM LOCK CASE 15 MM

Ideal for all thermic and Euro Groove profiles as it minimizes the cut-outs on the profile



DEAD AND ADJUSTABLE LATCH BOLT

Latch bolt interchangeable with roller bolt cod.01435



CONSTRUCTIVE FEATURES:

Zinc and plastic plated steel case and cover - Stainless steel forend - Nickel-plated special alloy self-centering dead bolt with lock-picking system- Nickel-plated special alloy latch bolt - Zinc-plated special alloy square spindle device \square 8 mm.

WORKING:

Key driven dead bolt - Handle or key driven latch bolt.

HAND:

Reversible.

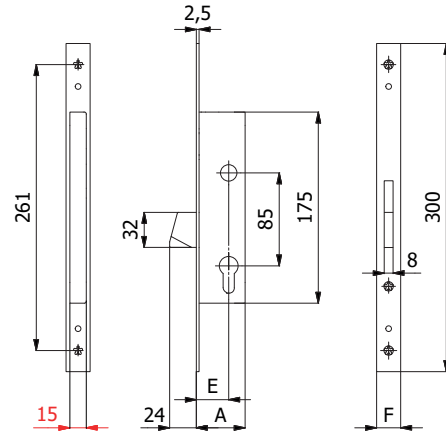
PROVIDED WITH:

2 roses cod. 0120 N, forend spacer cod. 0623 N (forend 25 mm) or 2 cod. 0625 N (forend 22 mm), cylinder screw, stainless steel fixing screws, assembling instructions.

COD.	E	F	A	Throws			
1400S.25.16	25	16	40	1	0,40	1	5
1400S.25.22	25	22	40	1	0,44	1	5
1400S.25.25	25	25	40	1	0,46	1	5
1400S.30.16	30	16	45	1	0,43	1	5
1400S.30.22	30	22	45	1	0,46	1	5
1400S.30.25	30	25	45	1	0,48	1	5
1400S.35.16	35	16	50	1	0,45	1	5
1400S.35.22	35	22	50	1	0,49	1	5
1400S.35.25	35	25	50	1	0,51	1	5



DEAD BOLT



CONSTRUCTIVE FEATURES:

Zinc and plastic plated steel case and cover - Stainless steel forend - Nickel-plated special alloy self-centering dead bolt with lock-picking system.

WORKING:

Key driven dead bolt.

HAND:

No hand.

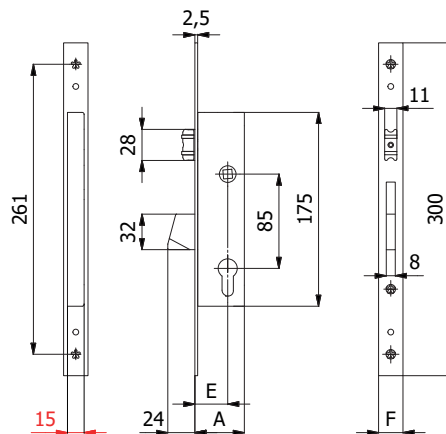
PROVIDED WITH:

2 roses cod. 0120 N, forend spacer cod. 0623 N (forend 25 mm) or 2 cod. 0625 N (forend 22 mm), cylinder screw, stainless steel fixing screws, assembling instructions.

COD.	E	F	A	Throws			
1401S.25.16	25	16	40	1	0,38	1	5
1401S.25.22	25	22	40	1	0,42	1	5
1401S.25.25	25	25	40	1	0,43	1	5
1401S.30.16	30	16	45	1	0,40	1	5
1401S.30.22	30	22	45	1	0,44	1	5
1401S.30.25	30	25	45	1	0,46	1	5
1401S.35.16	35	16	50	1	0,43	1	5
1401S.35.22	35	22	50	1	0,47	1	5
1401S.35.25	35	25	50	1	0,48	1	5



DEAD AND ADJUSTABLE ROLLER BOLT



CONSTRUCTIVE FEATURES:

Zinc and plastic plated steel case and cover - Stainless steel forend - Nickel-plated special alloy self-centering dead bolt with lock-picking system - Nickel-plated brass roller bolt.

WORKING:

Key driven dead bolt - Pressure or key driven roller bolt

HAND:

No hand.

PROVIDED WITH:

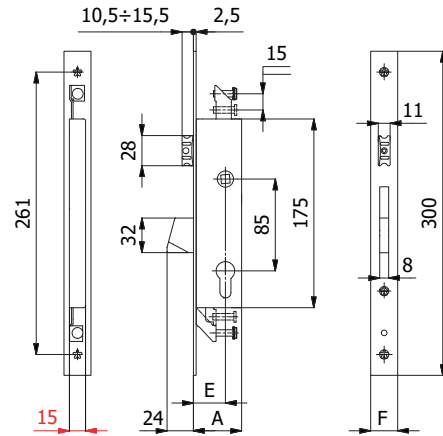
2 roses cod. 0120 N, forend spacer cod. 0623 N (forend 25 mm) or 2 cod. 0625 N (forend 22 mm), cylinder screw, stainless steel fixing screws, assembling instructions.

COD.	E	F	A	Throws			
1405S.25.16	25	16	40	1	0,40	1	5
1405S.25.22	25	22	40	1	0,44	1	5
1405S.25.25	25	25	40	1	0,46	1	5
1405S.30.16	30	16	45	1	0,43	1	5
1405S.30.22	30	22	45	1	0,46	1	5
1405S.30.25	30	25	45	1	0,48	1	5
1405S.35.16	35	16	50	1	0,45	1	5
1405S.35.22	35	22	50	1	0,49	1	5
1405S.35.25	35	25	50	1	0,51	1	5



DEAD AND ADJUSTABLE LATCH BOLT 3 LOCKING POINTS

Latch bolt interchangeable with roller bolt cod.01435



CONSTRUCTIVE FEATURES:

Zinc and plastic plated steel case and cover - Stainless steel forend - Nickel-plated special alloy self-centering dead bolt with lock-picking system - Nickel-plated special alloy anti-noise latch bolt - Zinc-plated special alloy square spindle device \square 8 mm.

WORKING:

Key driven dead bolt - Handle or key driven latch bolt.

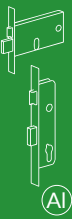
HAND:

Reversible.

PROVIDED WITH:

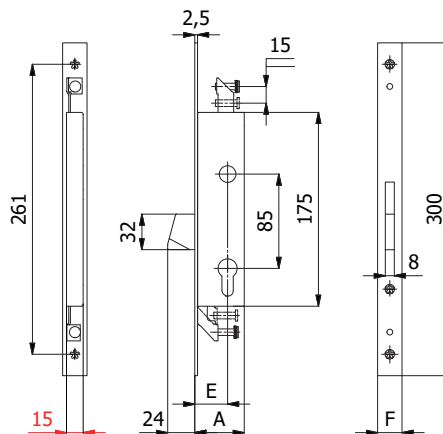
2 roses cod. 0120 N, forend spacer cod. 0623 N (forend 25 mm) or 2 cod. 0625 N (forend 22 mm), cylinder screw, stainless steel fixing screws, assembling instructions.

COD.	E	F	A	Throws			
1410S.25.16	25	16	40	1	0,44	1	5
1410S.25.22	25	22	40	1	0,47	1	5
1410S.25.25	25	25	40	1	0,49	1	5
1410S.30.16	30	16	45	1	0,46	1	5
1410S.30.22	30	22	45	1	0,50	1	5
1410S.30.25	30	25	45	1	0,52	1	5
1410S.35.16	35	16	50	1	0,49	1	5
1410S.35.22	35	22	50	1	0,53	1	5
1410S.35.25	35	25	50	1	0,55	1	5





DEAD BOLT 3 LOCKING POINTS



CONSTRUCTIVE FEATURES:

Zinc and plastic plated steel case and cover - Stainless steel forend - Nickel-plated special alloy self-centering dead bolt with lock-picking system.

WORKING:

Key driven dead bolt.

HAND:

No hand.

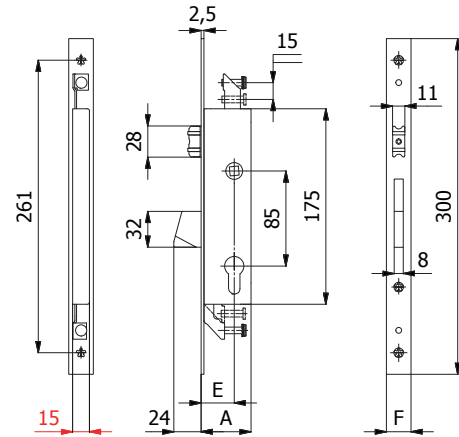
PROVIDED WITH:

2 roses cod. 0120 N, forend spacer cod. 0623 N (forend 25 mm) or 2 cod. 0625 N (forend 22 mm), cylinder screw, stainless steel fixing screws, assembling instructions.

COD.	E	F	A	Throws			
1411S.25.16	25	16	40	1	0,41	1	5
1411S.25.22	25	22	40	1	0,45	1	5
1411S.25.25	25	25	40	1	0,47	1	5
1411S.30.16	30	16	45	1	0,44	1	5
1411S.30.22	30	22	45	1	0,48	1	5
1411S.30.25	30	25	45	1	0,50	1	5
1411S.35.16	35	16	50	1	0,47	1	5
1411S.35.22	35	22	50	1	0,51	1	5
1411S.35.25	35	25	50	1	0,53	1	5



DEAD AND ADJUSTABLE ROLLER BOLT 3 LOCKING POINTS



CONSTRUCTIVE FEATURES:

Zinc and plastic plated steel case and cover - Stainless steel forend - Nickel-plated special alloy self-centering dead bolt with lock-picking system - Nickel-plated brass roller bolt.

WORKING:

Key driven dead bolt - Pressure or key driven roller bolt.

HAND:

No hand.

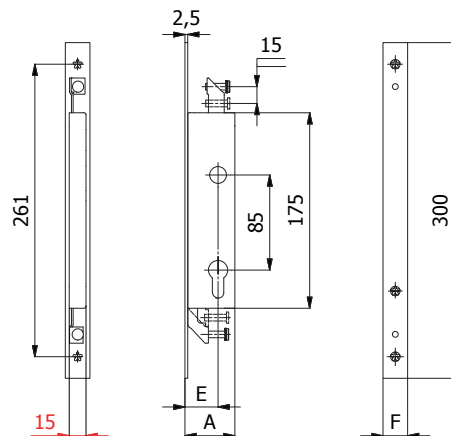
PROVIDED WITH:

2 roses cod. 0120 N, forend spacer cod. 0623 N (forend 25 mm) or 2 cod. 0625 N (forend 22 mm), cylinder screw, stainless steel fixing screws, assembling instructions.

COD.	E	F	A	Throws			
1415S.25.16	25	16	40	1	0,44	1	5
1415S.25.22	25	22	40	1	0,47	1	5
1415S.25.25	25	25	40	1	0,49	1	5
1415S.30.16	30	16	45	1	0,46	1	5
1415S.30.22	30	22	45	1	0,50	1	5
1415S.30.25	30	25	45	1	0,52	1	5
1415S.35.16	35	16	50	1	0,49	1	5
1415S.35.22	35	22	50	1	0,53	1	5
1415S.35.25	35	25	50	1	0,55	1	5



TOP AND BOTTOM 2 LOCKING POINTS



CONSTRUCTIVE FEATURES:

Zinc and plastic plated steel case and cover - Stainless steel forend.

WORKING:

Key driven vertical rods.

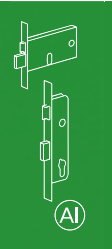
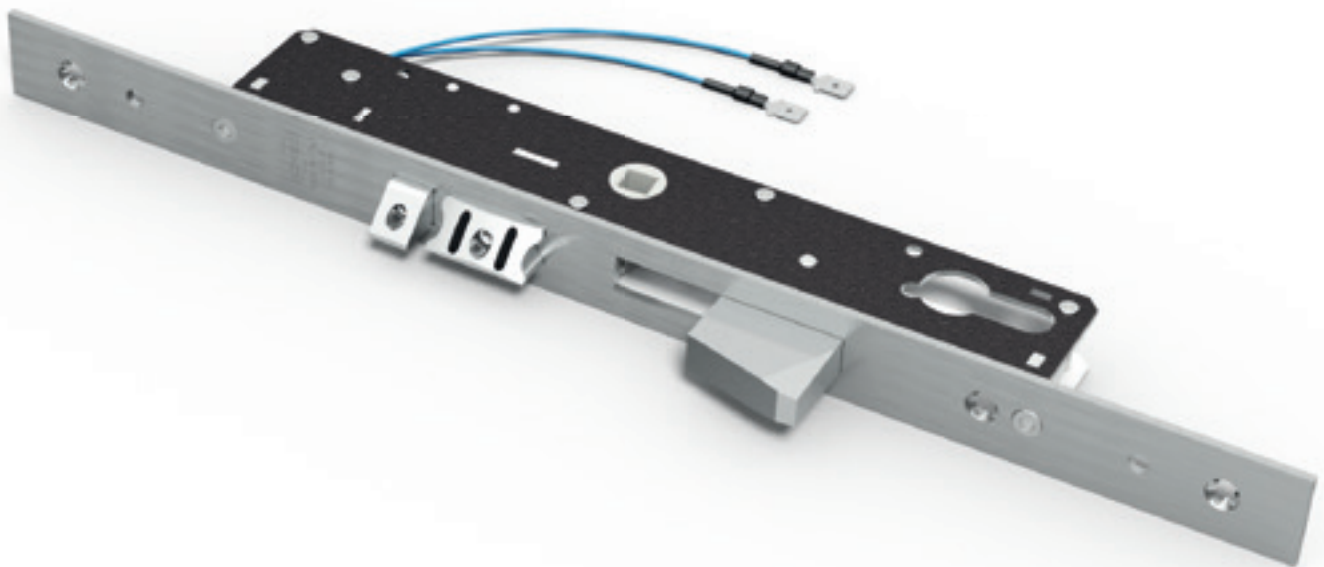
HAND:

No hand.

PROVIDED WITH:

2 roses cod. 0120 N, forend spacer cod. 0623 N (forend 25 mm) or 2 cod. 0625 N (forend 22 mm), cylinder screw, stainless steel fixing screws, assembling instructions.

COD.	E	F	A	Throws			
1412S.25.16	25	16	40	1	0,39	1	5
1412S.25.22	25	22	40	1	0,44	1	5
1412S.25.25	25	25	40	1	0,46	1	5
1412S.30.16	30	16	45	1	0,42	1	5
1412S.30.22	30	22	45	1	0,47	1	5
1412S.30.25	30	25	45	1	0,49	1	5
1412S.35.16	35	16	50	1	0,46	1	5
1412S.35.22	35	22	50	1	0,51	1	5
1412S.35.25	35	25	50	1	0,53	1	5



SECURITY

Self-centering tipping dead bolt with lock-picking system
 Designed for additional locking points
 Versions available with Euro profile cylinder and cross key cylinder
 Working is assured also without electricity



MATERIALS

Stainless steel forend and springs
 19 mm lock case
 Zinc and plastic plated steel case and cover



EASY TO INSTALL

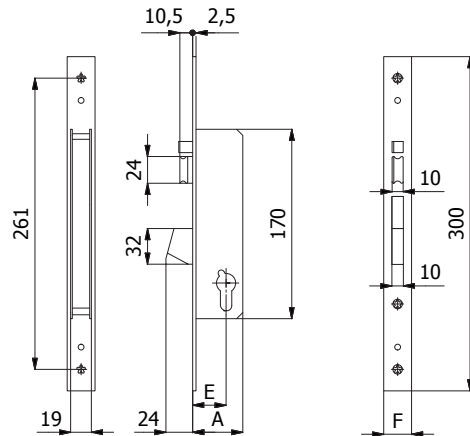
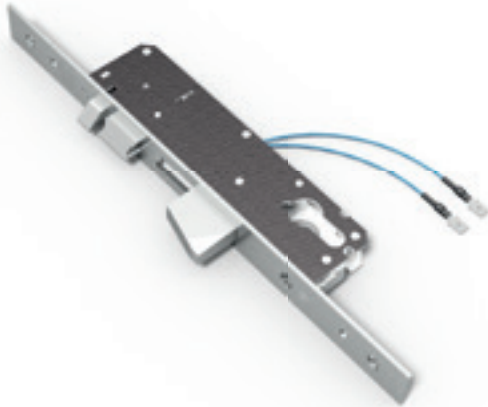
The cables protrude from the lock case, making the connection much easier, with no need to use a screwdriver or an hex key, just connecting the two faston terminals



POWER SUPPLY

To install the electric locks use transformers 12V-10W
 Tear resistant coil set cod. 039 - 039Q

DEAD AND LATCH BOLT



CONSTRUCTIVE FEATURES:

Zinc and plastic plated steel case and cover - Stainless steel forend - Nickel-plated special alloy self-centering dead bolt with lock-picking system - Nickel-plated special alloy latch bolt - Nickel-plated steel piston - Coil set cod. 039 (12V-10W a.c./d.c.) CE.

WORKING:

Key driven dead bolt - Key, remote control or push-button cod. 058 driven latch bolt - Working is assured also without electricity.

HOLD OPEN DEVICE:

With push-button cod. 059, it is possible to block the electric lock in its "open" position.

HAND:

Reversible.

PROVIDED WITH:

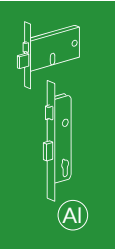
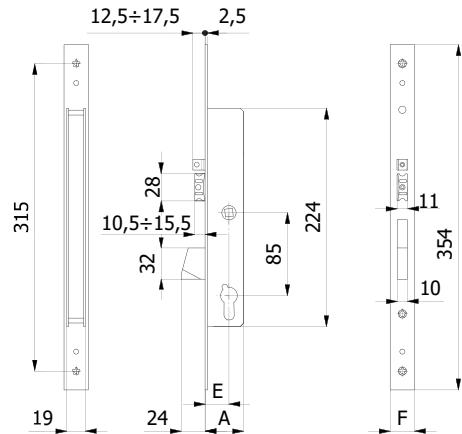
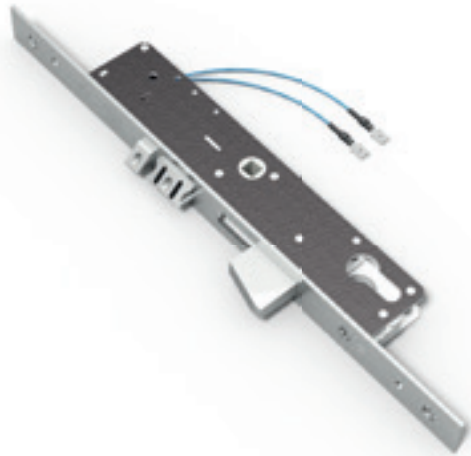
Forend spacer cod. 0623 N (forend 25 mm) or 2 cod. 0625 N (forend 22 mm), stainless steel fixing screws, assembling instructions.

For series 1408: 2 roses cod. 0120 N, cylinder screw.

For series 4408: Cross key cylinder cod. 4052 or 4052/1 (with long keys), 3 keys, 2 roses cod. 0441 N.

COD.	E	F	A	Throws	Cylinder	Key	kg		
1408.25.22	25	22	40	1			0,61	1	5
1408.25.25	25	25	40	1			0,59	1	5
1408.30.22	30	22	45	1		-	0,64	1	5
1408.30.25	30	25	45	1		0,62	1	5	
1408.35.22	35	22	50	1			0,68	1	5
1408.35.25	35	25	50	1			0,66	1	5
4408.25.22	25	22	40	1			0,70	1	5
4408.25.25	25	25	40	1			0,68	1	5
4408.30.22	30	22	45	1	cod. 4052	cod. 4100	0,73	1	5
4408.30.25	30	25	45	1			0,71	1	5
4408.35.22	35	22	50	1			0,77	1	5
4408.35.25	35	25	50	1			0,75	1	5
4408/1.**.**		Long keys			cod. 4052/1	cod. 4101	+ 0,02	-	-

DEAD BOLT, ADJUSTABLE LATCH BOLT AND ADJUSTABLE PISTON



CONSTRUCTIVE FEATURES:

Zinc and plastic plated steel case and cover - Stainless steel forend - Nickel-plated special alloy self-centering dead bolt with lock-picking system - Nickel-plated special alloy anti-noise latch bolt - Nickel-plated steel piston - Zinc-plated special alloy square spindle device Φ 8 mm - Coil set cod. 039Q (12V-10W a.c./d.c.) CE.

WORKING:

Key driven dead bolt - Key, handle or remote control driven latch bolt - Working is assured also without electricity.

HAND:

Reversible.

PROVIDED WITH:

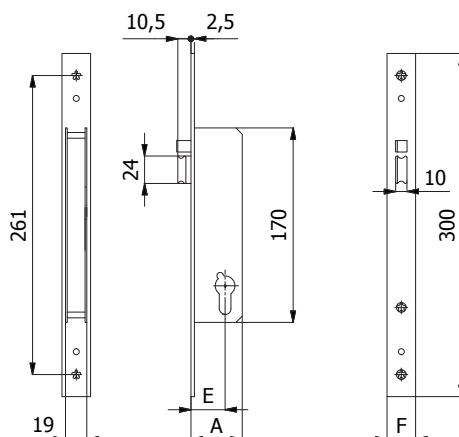
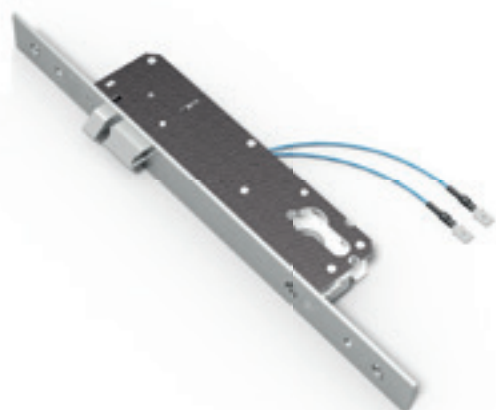
2 forend spacers cod. 0626 N (forend 25 mm) or 2 cod. 0625 N (forend 22 mm), stainless steel fixing screws, assembling instructions.

For series 1408Q: 2 roses cod. 0120 N, cylinder screw.

For series 4408Q: Cross key cylinder cod. 4052 or 4052/1 (with long keys), 3 keys, 2 roses cod. 0441 N.

COD.	E	F	A	Throws	Cylinder	Key	kg		
1408Q.25.22	25	22	40	1			0,70	1	-
1408Q.25.25	25	25	40	1			0,68	1	-
1408Q.30.22	30	22	45	1		-	0,74	1	-
1408Q.30.25	30	25	45	1		0,72	1	-	
1408Q.35.22	35	22	50	1			0,78	1	-
1408Q.35.25	35	25	50	1			0,76	1	-
4408Q.25.22	25	22	40	1			0,79	1	-
4408Q.25.25	25	25	40	1			0,77	1	-
4408Q.30.22	30	22	45	1	cod. 4052	cod. 4100	0,83	1	-
4408Q.30.25	30	25	45	1			0,81	1	-
4408Q.35.22	35	22	50	1			0,87	1	-
4408Q.35.25	35	25	50	1			0,85	1	-
4408Q/1.**.**		Long keys			cod. 4052/1	cod. 4101	+ 0,02	-	-

LATCH BOLT



CONSTRUCTIVE FEATURES:

Zinc and plastic plated steel case and cover - Stainless steel forend - Nickel-plated special alloy latch bolt - Nickel-plated steel piston - Coil set cod. 039 (12V-10W a.c./d.c.) CE.

WORKING:

Key, remote control or push-button cod. 058 driven latch bolt - Working is assured also without electricity.

HOLD OPEN DEVICE:

With push-button cod. 059, it is possible to block the electric lock in its "open" position.

HAND:

Reversible.

PROVIDED WITH:

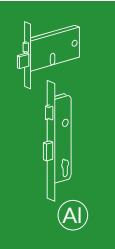
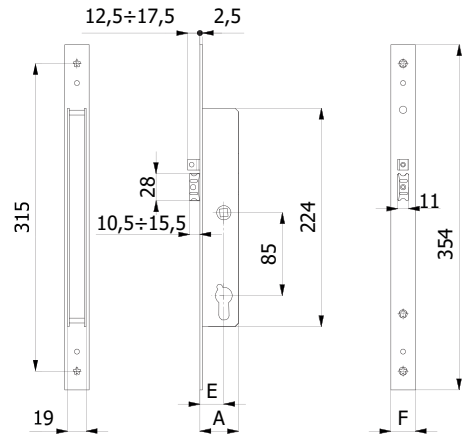
Forend spacer cod. 0623 N (forend 25 mm) or 2 cod. 0625 N (forend 22 mm), stainless steel fixing screws, assembling instructions.

For series 1409: 2 roses cod. 0120 N, cylinder screw.

For series 4409: Cross key cylinder cod. 4052 or 4052/1 (with long keys), 3 keys, 2 roses cod. 0441 N.

COD.	E	F	A	Throws	Cylinder	Key	kg		
1409.25.22	25	22	40	-			0,61	1	5
1409.25.25	25	25	40	-			0,59	1	5
1409.30.22	30	22	45	-			0,64	1	5
1409.30.25	30	25	45	-			0,62	1	5
1409.35.22	35	22	50	-			0,68	1	5
1409.35.25	35	25	50	-			0,66	1	5
4409.25.22	25	22	40	-			0,70	1	5
4409.25.25	25	25	40	-			0,68	1	5
4409.30.22	30	22	45	-	cod. 4052	cod. 4100	0,73	1	5
4409.30.25	30	25	45	-			0,71	1	5
4409.35.22	35	22	50	-			0,77	1	5
4409.35.25	35	25	50	-			0,75	1	5
4409/1.**.**		Long keys			cod. 4052/1	cod. 4101	+ 0,02	-	-

ADJUSTABLE LATCH BOLT, ADJUSTABLE PISTON AND SQUARE SPINDLE



CONSTRUCTIVE FEATURES:

Zinc and plastic plated steel case and cover - Stainless steel forend - Nickel-plated special alloy anti-noise latch bolt - Nickel-plated steel piston - Zinc-plated special alloy square spindle device \varnothing 8 mm - Coil set cod. 039Q (12V-10W a.c./d.c.) CE.

WORKING:

Key, handle or remote control driven latch bolt - Working is assured also without electricity.

HAND:

Reversible.

PROVIDED WITH:

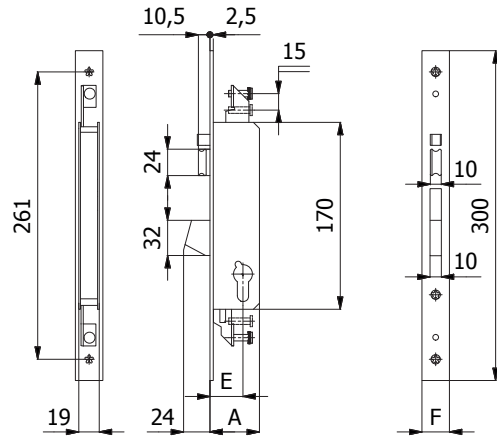
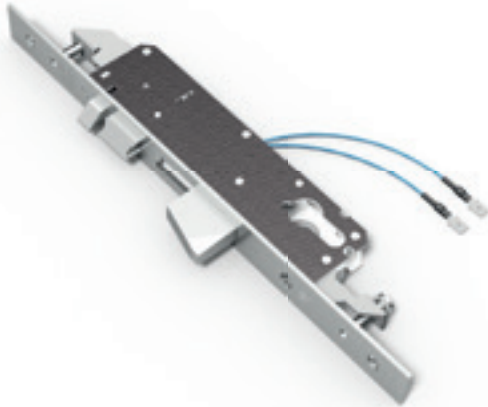
2 forend spacer cod. 0626 N (forend 25 mm) or 2 cod. 0625 N (forend 22 mm), stainless steel fixing screws, assembling instructions.

For series 1409Q: 2 roses cod. 0120 N, cylinder screw.

For series 4409Q: Cross key cylinder cod. 4052 or 4052/1 (with long keys), 3 keys, 2 roses cod. 0441 N.

COD.	E	F	A	Throws	Cylinder	Key	kg		
1409Q.25.22	25	22	40	-			0,70	1	-
1409Q.25.25	25	25	40	-			0,68	1	-
1409Q.30.22	30	22	45	-		-	0,74	1	-
1409Q.30.25	30	25	45	-		0,72	1	-	
1409Q.35.22	35	22	50	-			0,78	1	-
1409Q.35.25	35	25	50	-			0,76	1	-
4409Q.25.22	25	22	40	-			0,79	1	-
4409Q.25.25	25	25	40	-			0,77	1	-
4409Q.30.22	30	22	45	-	cod. 4052	cod. 4100	0,83	1	-
4409Q.30.25	30	25	45	-			0,81	1	-
4409Q.35.22	35	22	50	-			0,87	1	-
4409Q.35.25	35	25	50	-			0,85	1	-
4409Q/1.**.**		Long keys			cod. 4052/1	cod. 4101	+ 0,02	-	-

DEAD AND LATCH BOLT 3 LOCKING POINTS



CONSTRUCTIVE FEATURES:

Zinc and plastic plated steel case and cover - Stainless steel forend - Nickel-plated special alloy self-centering dead bolt with lock-picking system - Nickel-plated special alloy latch bolt - Nickel-plated steel piston - Coil set cod. 039 (12V-10W a.c./d.c.) CE.

WORKING:

Key driven dead bolt - Key, remote control or push-button cod. 058 driven latch bolt - Working is assured also without electricity.

HOLD OPEN DEVICE:

With push-button cod. 059, it is possible to block the electric lock in its "open" position.

HAND:

Reversible.

PROVIDED WITH:

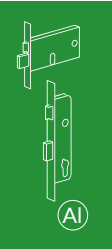
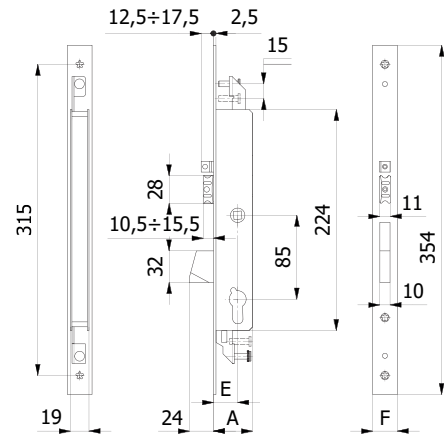
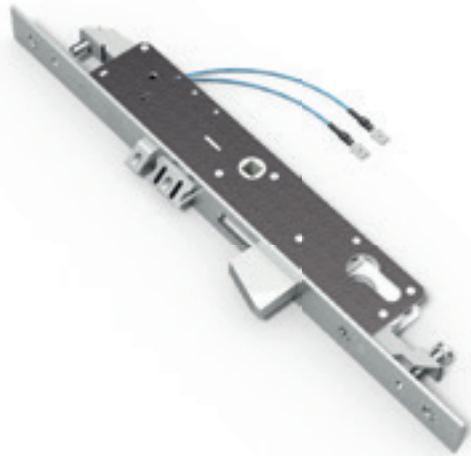
Forend spacer cod. 0623 N (forend 25 mm) or 2 cod. 0625 N (forend 22 mm), stainless steel fixing screws, assembling instructions.

For series 1418: 2 roses cod. 0120 N, cylinder screw.

For series 4418: Cross key cylinder cod. 4052 or 4052/1 (with long keys), 3 keys, 2 roses cod. 0441 N.

COD.	E	F	A	Throws	Cylinder	Key	kg		
1418.25.22	25	22	40	1			0,65	1	5
1418.25.25	25	25	40	1			0,63	1	5
1418.30.22	30	22	45	1		-	0,68	1	5
1418.30.25	30	25	45	1		0,66	1	5	
1418.35.22	35	22	50	1			0,73	1	5
1418.35.25	35	25	50	1			0,71	1	5
4418.25.22	25	22	40	1			0,74	1	5
4418.25.25	25	25	40	1			0,72	1	5
4418.30.22	30	22	45	1	cod. 4052	cod. 4100	0,77	1	5
4418.30.25	30	25	45	1			0,75	1	5
4418.35.22	35	22	50	1			0,82	1	5
4418.35.25	35	25	50	1			0,80	1	5
4418/1.**.**		Long keys			cod. 4052/1	cod. 4101	+ 0,02	-	-

DEAD BOLT, ADJUSTABLE LATCH BOLT AND ADJUSTABLE PISTON 3 LOCKING POINTS



CONSTRUCTIVE FEATURES:

Zinc and plastic plated steel case and cover - Stainless steel forend - Nickel-plated special alloy self-centering dead bolt with lock-picking system - Nickel-plated special alloy anti-noise latch bolt - Nickel-plated steel piston - Zinc-plated special alloy square spindle device \varnothing 8 mm - Coil set cod. 039Q (12V-10W a.c./d.c.) CE.

WORKING:

Key driven dead bolt - Key, handle or remote control driven latch bolt - Working is assured also without electricity.

HAND:

Reversible.

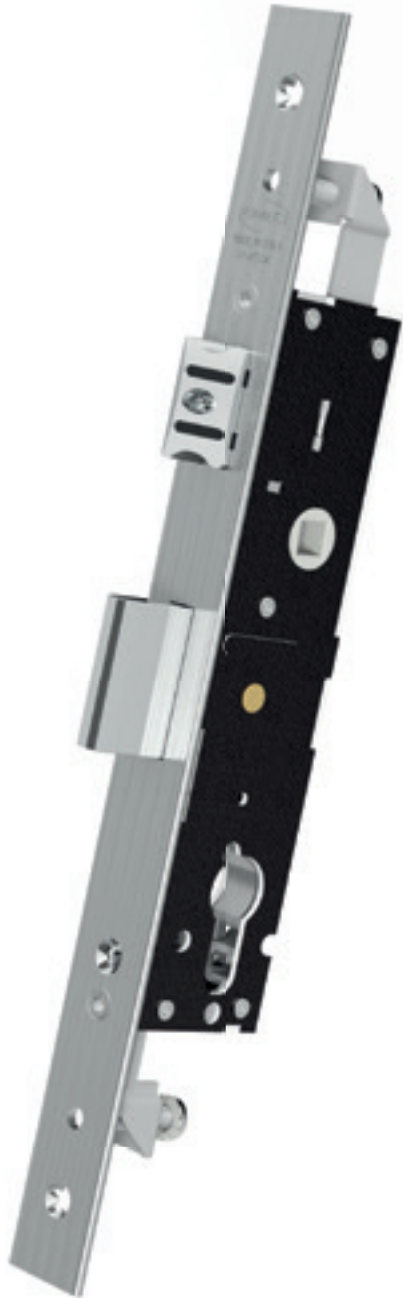
PROVIDED WITH:

2 forend spacers cod. 0626 N (forend 25 mm) or 2 cod. 0625 N (forend 22 mm), stainless steel fixing screws, assembling instructions.

For series 1418Q: 2 roses cod. 0120 N, cylinder screw.

For series 4418Q: Cross key cylinder cod. 4052 or 4052/1 (with long keys), 3 keys, 2 roses cod. 0441 N.

COD.	E	F	A	Throws	Cylinder	Key	kg		
1418Q.25.22	25	22	40	1			0,74	1	-
1418Q.25.25	25	25	40	1			0,72	1	-
1418Q.30.22	30	22	45	1		-	0,78	1	-
1418Q.30.25	30	25	45	1		0,76	1	-	
1418Q.35.22	35	22	50	1			0,82	1	-
1418Q.35.25	35	25	50	1			0,80	1	-
4418Q.25.22	25	22	40	1			0,83	1	-
4418Q.25.25	25	25	40	1			0,81	1	-
4418Q.30.22	30	22	45	1	cod. 4052	cod. 4100	0,87	1	-
4418Q.30.25	30	25	45	1			0,85	1	-
4418Q.35.22	35	22	50	1			0,92	1	-
4418Q.35.25	35	25	50	1			0,90	1	-
4418Q/1.**.**		Long keys			cod. 4052/1	cod. 4101	+ 0,02	-	-



SECURITY

Self-centering advancing dead bolt with lock-picking system
 Designed to be fitted with security escutcheon providing additional protection to the cylinder
 Designed for additional locking points



MATERIALS

Stainless steel forend and springs
 Closed zinc and plastic plated steel lock case to stop profile machining chips from entering the mechanism.

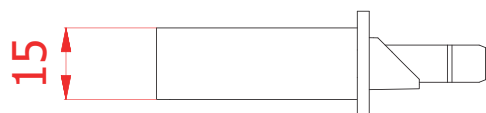


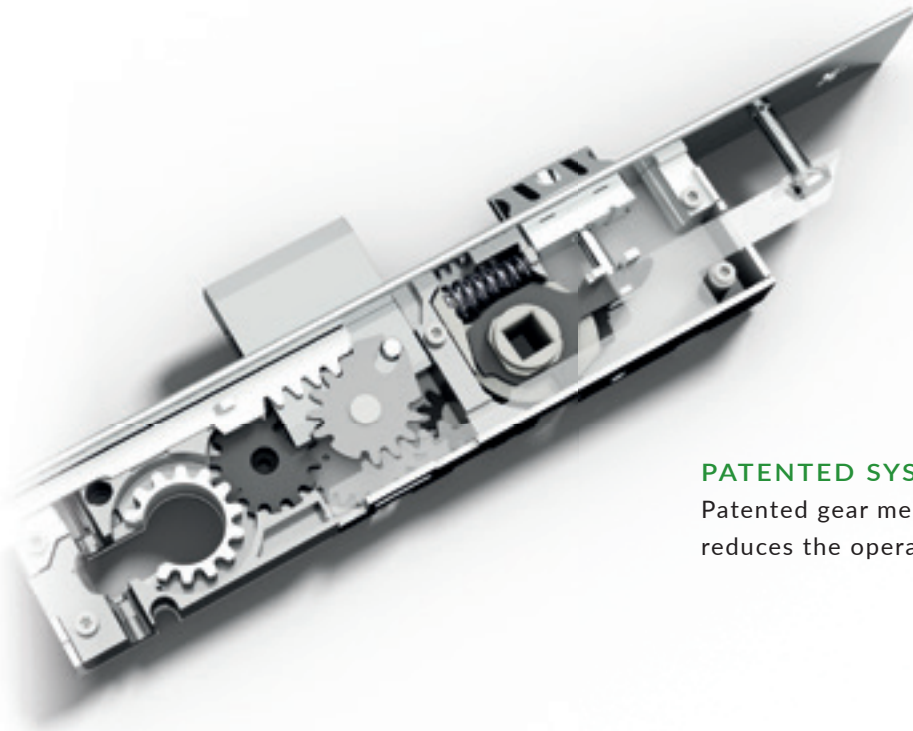
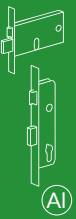
EASY TO TURN

Adjustable anti-noise latch bolt ~ 5 mm and roller bolt interchangeable with plug
 Roller bolt cod. 01435 - Plug cod. 01431

SLIM LOCK CASE 15 MM

Ideal for all thermic and Euro Groove profiles as it minimizes the cut-outs on the profile



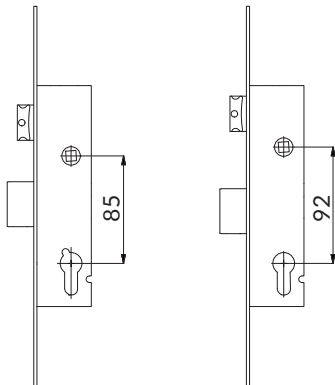


PATENTED SYSTEM

Patented gear mechanism movement that reduces the operating force to turn the key

WHEEL-CAM STOPPING DEVICE

Wheel-cam stopping device in case the cylinder is not present into the housing of the lock



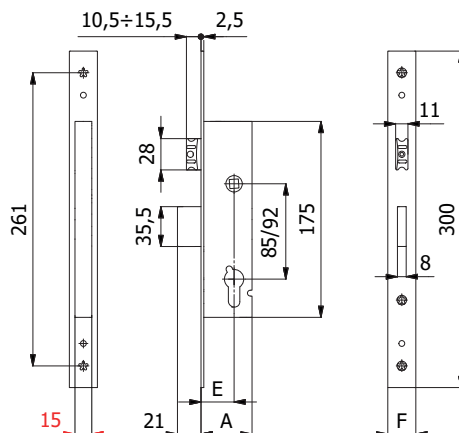
HANDLE/CYLINDER CENTRE DISTANCE

Locks available with 85 mm and 92 mm centre distance to meet the different requirements of the European market



DEAD AND ADJUSTABLE LATCH BOLT

Latch bolt interchangeable with roller bolt cod. 01435



CONSTRUCTIVE FEATURES:

Zinc and plastic plated steel case and cover - Stainless steel forend - Nickel-plated special alloy self-centering dead bolt with lock-picking system - Nickel-plated special alloy anti-noise latch bolt - Zinc-plated special alloy square spindle device $\varnothing 8$ mm

WORKING:

Key driven dead bolt - Handle or key driven latch bolt.

HAND:

Reversible.

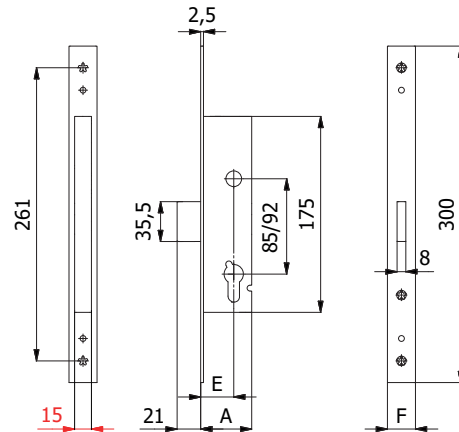
PROVIDED WITH:

2 roses cod. 0120 N, forend spacer cod. 0623 N (forend 25 mm) or 2 cod. 0625 N (forend 22 mm), cylinder screw, stainless steel fixing screws, assembling instructions.

COD.	E	F	A	Centre distance	Throws	kg		
1600S.25.16	25	16	41	85	2	0,60	1	5
1600S.25.22	25	22	41	85	2	0,66	1	5
1600S.25.25	25	25	41	85	2	0,68	1	5
1600S.30.16	30	16	46	85	2	0,64	1	5
1600S.30.22	30	22	46	85	2	0,70	1	5
1600S.30.25	30	25	46	85	2	0,72	1	5
1600S.35.16	35	16	51	85	2	0,68	1	5
1600S.35.22	35	22	51	85	2	0,74	1	5
1600S.35.25	35	25	51	85	2	0,76	1	5
1600S.40.16	40	16	56	85	2	0,72	1	5
1600S.40.22	40	22	56	85	2	0,78	1	5
1600S.40.25	40	25	56	85	2	0,80	1	5
1620S.**.**	-	-	-	92	-	-	-	-



DEAD BOLT



CONSTRUCTIVE FEATURES:

Zinc and plastic plated steel case and cover - Stainless steel forend - Nickel-plated special alloy self-centering dead bolt with lock-picking system.

WORKING:

Key driven dead bolt.

HAND:

No hand.

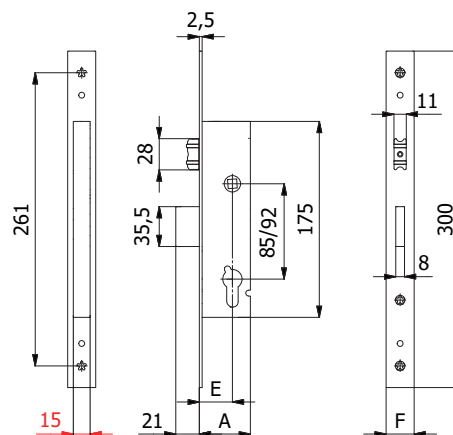
PROVIDED WITH:

2 roses cod. 0120 N, forend spacer cod. 0623 N (forend 25 mm) or 2 cod. 0625 N (forend 22 mm), cylinder screw, stainless steel fixing screws, assembling instructions.

COD.	E	F	A	Centre distance	Throws			
1601S.25.16	25	16	41	85	2	0,52	1	5
1601S.25.22	25	22	41	85	2	0,58	1	5
1601S.25.25	25	25	41	85	2	0,60	1	5
1601S.30.16	30	16	46	85	2	0,56	1	5
1601S.30.22	30	22	46	85	2	0,62	1	5
1601S.30.25	30	25	46	85	2	0,64	1	5
1601S.35.16	35	16	51	85	2	0,60	1	5
1601S.35.22	35	22	51	85	2	0,66	1	5
1601S.35.25	35	25	51	85	2	0,68	1	5
1601S.40.16	40	16	56	85	2	0,64	1	5
1601S.40.22	40	22	56	85	2	0,70	1	5
1601S.40.25	40	25	56	85	2	0,72	1	5
1621S.**.**	-	-	-	92	-	-	-	-



DEAD AND ADJUSTABLE ROLLER BOLT



CONSTRUCTIVE FEATURES:

Zinc and plastic plated steel case and cover - Stainless steel forend - Nickel-plated special alloy self-centering dead bolt with lock-picking system - Nickel-plated brass roller bolt.

WORKING:

Key driven dead bolt - Pressure or key driven roller bolt.

HAND:

No hand.

PROVIDED WITH:

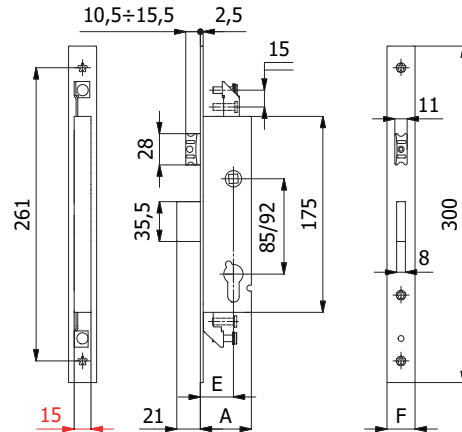
2 roses cod. 0120 N, forend spacer cod. 0623 N (forend 25 mm) or 2 cod. 0625 N (forend 22 mm), cylinder screw, stainless steel fixing screws, assembling instructions.

COD.	E	F	A	Centre distance	Throws	kg		
1605S.25.16	25	16	41	85	2	0,60	1	5
1605S.25.22	25	22	41	85	2	0,66	1	5
1605S.25.25	25	25	41	85	2	0,68	1	5
1605S.30.16	30	16	46	85	2	0,64	1	5
1605S.30.22	30	22	46	85	2	0,70	1	5
1605S.30.25	30	25	46	85	2	0,72	1	5
1605S.35.16	35	16	51	85	2	0,68	1	5
1605S.35.22	35	22	51	85	2	0,74	1	5
1605S.35.25	35	25	51	85	2	0,76	1	5
1605S.40.16	40	16	56	85	2	0,72	1	5
1605S.40.22	40	22	56	85	2	0,78	1	5
1605S.40.25	40	25	56	85	2	0,80	1	5
1625S.**.**	-	-	-	92	-	-	-	-



DEAD AND ADJUSTABLE LATCH BOLT 3 LOCKING POINTS

Latch bolt interchangeable with roller bolt cod. 01435



CONSTRUCTIVE FEATURES:

Zinc and plastic plated steel case and cover - Stainless steel forend - Nickel-plated special alloy self-centering dead bolt with lock-picking system - Nickel-plated special alloy anti-noise latch bolt - Zinc-plated special alloy square spindle device \varnothing 8 mm.

WORKING:

Key driven dead bolt - Handle or key driven latch bolt.

HAND:

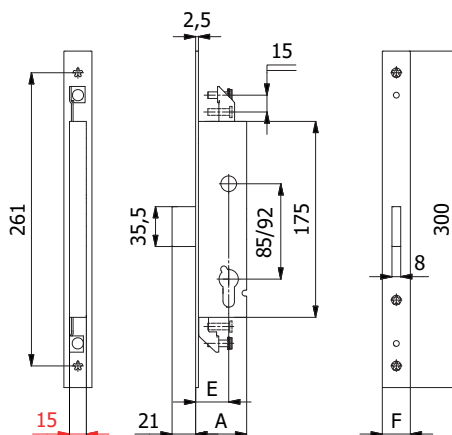
Reversible.

PROVIDED WITH:

2 roses cod. 0120 N, forend spacer cod. 0623 N (forend 25 mm) or 2 cod. 0625 N (forend 22 mm), cylinder screw, stainless steel fixing screws, assembling instructions.

COD.	E	F	A	Centre distance	Throws	 kg		
1610S.25.16	25	16	41	85	2	0,62	1	5
1610S.25.22	25	22	41	85	2	0,68	1	5
1610S.25.25	25	25	41	85	2	0,70	1	5
1610S.30.16	30	16	46	85	2	0,66	1	5
1610S.30.22	30	22	46	85	2	0,72	1	5
1610S.30.25	30	25	46	85	2	0,74	1	5
1610S.35.16	35	16	51	85	2	0,70	1	5
1610S.35.22	35	22	51	85	2	0,76	1	5
1610S.35.25	35	25	51	85	2	0,78	1	5
1610S.40.16	40	16	56	85	2	0,74	1	5
1610S.40.22	40	22	56	85	2	0,80	1	5
1610S.40.25	40	25	56	85	2	0,82	1	5
1630S.**.**	-	-	-	92	-	-	-	-

DEAD BOLT 3 LOCKING POINTS



CONSTRUCTIVE FEATURES:

Zinc and plastic plated steel case and cover - Stainless steel forend - Nickel-plated special alloy self-centering dead bolt with lock-picking system.

WORKING:

Key driven dead bolt.

HAND:

No hand.

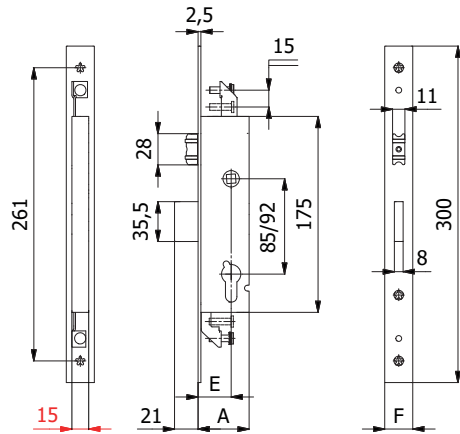
PROVIDED WITH:

2 roses cod. 0120 N, forend spacer cod. 0623 N (forend 25 mm) or 2 cod. 0625 N (forend 22 mm), cylinder screw, stainless steel fixing screws, assembling instructions.

COD.	E	F	A	Centre distance	Throws	kg		
1611S.25.16	25	16	41	85	2	0,54	1	5
1611S.25.22	25	22	41	85	2	0,60	1	5
1611S.25.25	25	25	41	85	2	0,62	1	5
1611S.30.16	30	16	46	85	2	0,58	1	5
1611S.30.22	30	22	46	85	2	0,64	1	5
1611S.30.25	30	25	46	85	2	0,66	1	5
1611S.35.16	35	16	51	85	2	0,62	1	5
1611S.35.22	35	22	51	85	2	0,68	1	5
1611S.35.25	35	25	51	85	2	0,70	1	5
1611S.40.16	40	16	56	85	2	0,66	1	5
1611S.40.22	40	22	56	85	2	0,72	1	5
1611S.40.25	40	25	56	85	2	0,74	1	5
1631S.**.**	-	-	-	92	-	-	-	-



DEAD AND ADJUSTABLE ROLLER BOLT 3 LOCKING POINTS



CONSTRUCTIVE FEATURES:

Zinc and plastic plated steel case and cover - Stainless steel forend - Nickel-plated special alloy self-centering dead bolt with lock-picking system - Nickel-plated brass roller bolt.

WORKING:

Key driven dead bolt - Pressure or key driven roller bolt.

HAND:

No hand.

PROVIDED WITH:

2 roses cod. 0120 N, forend spacer cod. 0623 N (forend 25 mm) or 2 cod. 0625 N (forend 22 mm), cylinder screw, stainless steel fixing screws, assembling instructions.

COD.	E	F	A	Centre distance	Throws			
1615S.25.16	25	16	41	85	2	0,62	1	5
1615S.25.22	25	22	41	85	2	0,68	1	5
1615S.25.25	25	25	41	85	2	0,70	1	5
1615S.30.16	30	16	46	85	2	0,66	1	5
1615S.30.22	30	22	46	85	2	0,72	1	5
1615S.30.25	30	25	46	85	2	0,74	1	5
1615S.35.16	35	16	51	85	2	0,70	1	5
1615S.35.22	35	22	51	85	2	0,76	1	5
1615S.35.25	35	25	51	85	2	0,78	1	5
1615S.40.16	40	16	56	85	2	0,74	1	5
1615S.40.22	40	22	56	85	2	0,80	1	5
1615S.40.25	40	25	56	85	2	0,82	1	5
1635S.**.**	-	-	-	92	-	-	-	-